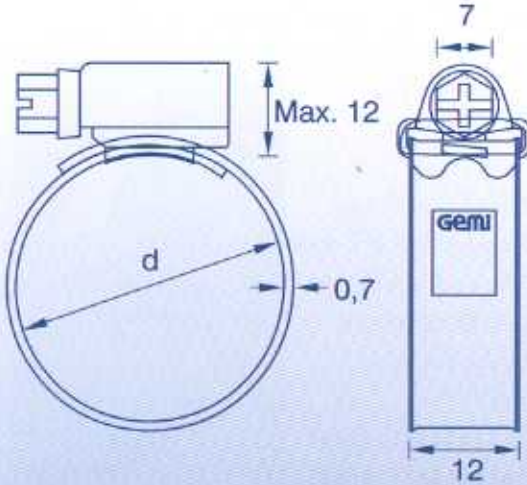




# SX 12 Series

The SX clamp is a high performance "FE" clamp for multiple applications. The non-perforated band prevents hose damage and premature wear and tear of the hose. The SX clamp distributes the clamping force evenly over the hose's circumference which makes the SX clamp highly efficient for any application.



SX 12 has a 12 mm (1/2") bandwidth, rolled-up band edges and a 7 mm hex head screw. The SX 12 is primarily recommended for applications over 2 1/2 inches.

SX 12 applications: automotive and truck, industrial, marine, heating-ventilation (HVAC), and many more areas.



Standard Reference SAE J1508 "FE" and "FEO" clamps and DIN 3017

ABA Part Number	SAE Size	Clamping Range (d)		Pieces per Packaging Unit		Net Weight per 100 Pieces		Recommended Tightening Torque (Nm)
		inch	mm			lbs	kg	
SX12025-W2 or -W4	8	5/8-1	16-25	100	500	3.7	1.7	2.5 - 3.5
SX12032-W2 or -W4	12	3/4-1 1/4	20-32	100	500	4.2	1.9	
SX12040-W2 or -W4	18	1-1 5/8	25-40	100	500	4.6	2.1	
SX12050-W2 or -W4	24	1 1/4-2	32-50	50	500	5.1	2.3	
SX12060-W2 or -W4	30	1 5/8-2 3/8	40-60	50	250	5.5	2.5	
SX12070-W2 or -W4	36	2-2 3/4	50-70	25	250	5.9	2.7	
SX12080-W2 or -W4	42	2 3/8-3 1/8	60-80	25	250	6.4	2.9	
SX12090-W2 or -W4	48	2 3/4-3 1/2	70-90	25	250	6.8	3.1	3.5 - 4.5
SX12100-W2 or -W4	56	3 1/8-4	80-100	25	250	7.3	3.3	
SX12110-W2 or -W4	62	3 1/2-4 3/8	90-110	25	250	7.9	3.6	
SX12120-W2 or -W4	68	4-4 3/4	100-120	-	250	8.1	3.7	
SX12130-W2 or -W4	74	4 3/8-5 1/8	110-130	-	250	8.8	4.0	
SX12140-W2 or -W4	80	4 3/4-5 1/2	120-140	-	250	9.3	4.2	
SX12150-W2 or -W4	86	5 1/8-5 7/8	130-150	-	250	9.5	4.3	
SX12160-W2 or -W4	92	5 1/2-6 1/4	140-160	-	250	10.4	4.7	4.5 - 5.0
SX12170-W2 or -W4	98	5 7/8-6 5/8	150-170	-	-	11.0	5.0	
SX12180-W2 or -W4	104	6 1/4-7	160-180	-	-	11.5	5.2	
SX12190-W2 or -W4	110	6 5/8-7 3/8	170-190	-	-	11.9	5.4	
SX12200-W2 or -W4	118	7-7 7/8	180-200	-	-	12.3	5.6	
SX12210-W2 or -W4	124	7 3/4-8 1/4	190-210	-	-	12.5	5.8	
SX12220-W2 or -W4	134	7 7/8-8 7/8	200-220	-	-	13.2	6.0	
SX12230-W2 or -W4	136	8 1/4-9	210-230	-	-	13.7	6.2	-
SX12240-W2 or -W4	142	8 7/8-9 3/8	220-240	-	-	14.1	6.4	

**W2 Material** = Band and housing manufactured from AISI 430 stainless steel. The screw is manufactured from zinc plated low carbon steel.  
Screw head design =

**W4 Material** = Manufactured entirely from AISI 304 stainless steel.  
Screw head design =



1445 Huntwood Drive • Cherry Valley, IL 61016-9560  
Toll Free Phone: (800) 965-5906 • Fax: (815) 332-9090  
www.abaofamerica.com • e-mail: info@abaofamerica.com