

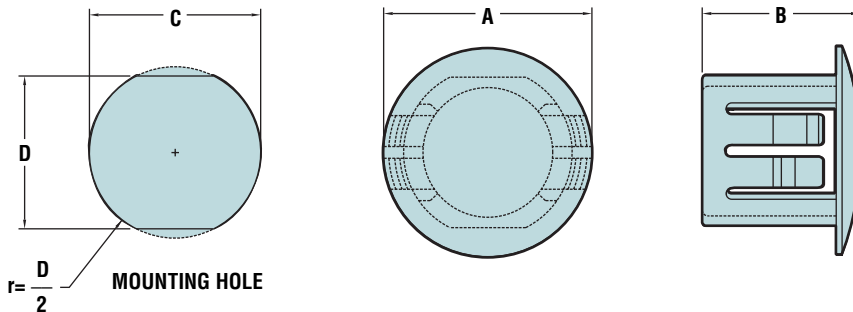


# Heyco® Lockett™ Mounting Hole Plugs for Rectangular & RDD Holes

Maximum Thickness	PANEL DIMENSIONS						PART NO.		DESCRIPTION	PART DIMENSIONS			
	C		D		Black	White	A			B			
	Mounting Hole Diameter	To Prevent Rotation	Head Diameter	Overall Height									
in.	mm.	in.	mm.	in.	mm.	in.	mm.	in.	mm.				
.125	3,2	.437	11,1	.390	9,9	<b>2488</b>	<b>2489</b>	DD-437-390	.531	13,5	.406	10,3	
.125	3,2	.500	12,7	.445	11,3	<b>2491</b>	<b>2492</b>	DD-500-445	.554	14,7	.406	10,3	
.125	3,2	.562	14,3	.530	13,5	<b>2494</b>	<b>2495</b>	DD-562-530	.656	16,7	.406	10,3	
.125	3,2	.625	15,9	.550	14,0	<b>2497</b>	<b>2498</b>	DD-625-550	.718	18,2	.406	10,3	
.125	3,2	.750	19,1	.625	15,9	<b>2503</b>	<b>2504</b>	DD-750-625	.921	23,4	.406	10,3	
.125	3,2	.875	22,2	.770	19,5	<b>2509</b>	<b>2510</b>	DD-875-770	1.015	25,8	.453	11,5	

Standard Colors: Black or White. Consult factory for color matching, prices, and minimum order quantities. Locking fingers in fractional increments up to the maximum panel thickness. Approximate Head Thickness: .063" (1,6mm).

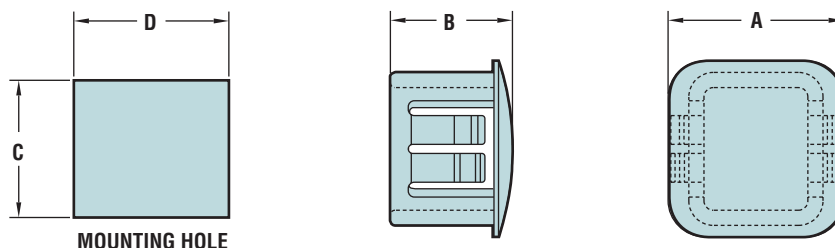
- Closes unwanted strain relief mounting holes or other double faced or Double "D" holes punched or molded with two opposing flats.
- Convex, matte finish head tapers to a thin edge.
- Locks firmly in panels up to 1/8" (3,2mm) thick.
- Quick and easy installation.



Consult Heyco for Colors Other Than Black or White

## Rectangular Plugs

Maximum Thickness	PANEL DIMENSIONS						PART NO.		DESCRIPTION	PART DIMENSIONS			
	C		D		Black	White	A			B			
	Mounting Hole Diameter	To Prevent Rotation	Head Diameter	Overall Height									
in.	mm.	in.	mm.	in.	mm.	in.	mm.	in.	mm.				
.099	2,5	.512	13,0	.453	11,5	<b>1890</b>	<b>1891</b>	RP-115-130	.578	14,7	.403	10,2	



1890/1891

Material	6/6 "Nylon"
Certifications	Recognized under the Component Program of Underwriters' Laboratories File #E-15331 Certified by the Canadian Standards Association File #LR-8919
Flammability Rating	94V-2
Material Temperature Index	125°C—Maximum temperature on part not to exceed 105°C

Quick Specs