



**NEW  
PRODUCT!**

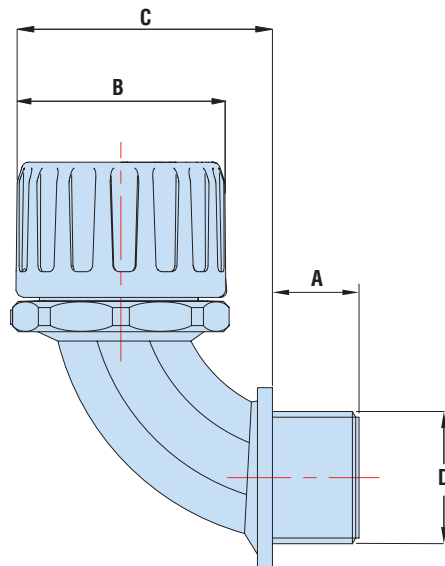


# Flexicon Nylon (PA66) 90° Sweep NPT Thread Fittings

For Flexible, Corrugated Nylon Conduit/Tubing

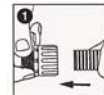
FITS CONDUIT NOMINAL SIZE	PART NO.		DESCRIPTION	THREAD SIZE	PART DIMENSIONS BODY AND SEALING UNIT							
	Black	Gray			A		B		C		D	
					Thread Length	in.	mm.	Max. O.A. Diameter	in.	mm.	Max. O.A. Length	in.
16 mm	F8606	F8607	FPA 16-050-90	1/2 NPT	.512	13,0	1.122	28,5	1.476	37,5	.875	22,2
21 mm	F8610	F8611	FPA 21-050-90	1/2 NPT	.512	13,0	1.260	32,0	1.555	39,5	.875	22,2
28 mm	F8616	F8617	FPA 28-075-90	3/4 NPT	.591	15,0	1.732	44,0	1.988	50,0	1.109	28,2
34 mm	F8620	F8621	FPA 34-100-90	1 NPT	.630	16,0	1.988	50,5	2.303	58,5	1.375	34,9
42 mm	F8622	F8623	FPA 42-125-90	1-1/4 NPT	.630	16,0	2.469	62,7	3.150	80,0	1.375	34,9
42 mm	F8624	F8625	FPA 42-150-90	1-1/2 NPT	.669	17,0	2.469	62,7	3.228	82,0	1.938	49,2
54 mm	F8626	F8627	FPA 54-150-90	1-1/2 NPT	.669	17,0	2.992	76,0	3.425	87,0	1.938	49,2
54 mm	F8628	F8629	FPA 54-200-90	2 NPT	.728	18,5	2.992	76,0	3.445	87,5	2.375	60,3
67 mm	F8630	F8631	FPA 67-200-90	2 NPT	.728	18,5	3.543	90,0	3.740	95,0	2.375	60,3

Standard Color: Black or Gray—Consult factory for other colors.  
UL Recognized Components.

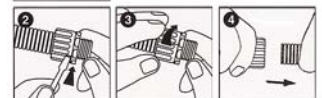


- Use with 16 mm thru 67 mm Flexicon corrugated conduit/tubing, pages 0-1 and 0-2.
- Six NPT thread sizes for use with seven conduit sizes.
- Suitable for use with both coarse and/or fine pitch conduit/tubing.
- Unitary design and assembled shipment allows fast fit.
- All nylon construction resists salt water, weak acids, gasoline, alcohol, oil, grease and common solvents. This feature is not assessed by UL certification or testing.
- No threading of the conduit or tubing is required to install.
- **Locknuts NOT included**, refer to page 0-26 for Nylon Locknuts.
- Suitable for use by all original equipment manufacturers.
- Protection class IP 66 per EN 60529 including high pressure water jet from any angle.
- Vibration and tamper resistant, but easily removed with a screwdriver.
- **Consult factory for FPAX fittings for use in IP 68 or 67 (as well as 66) applications.**

Assembly instructions:



Removal instructions:



Material	Polyamide "Nylon" 6/6-(PA66)
Certifications	Recognized under Underwriters' Laboratories File #E-229161 Approved as per EN50086
Flammability Rating	94 V2 and is Low Fire Hazard Including Low Smoke, Low Toxicity as well as Halogen, Sulphur, and Phosphorous Free
IP Rating	IP 66 standard as per EN60529 IP 66 IP 66, 67, & 68 available—consult factory and specify FPAX fittings
Temp. Rating	The temperature rating for all FPA fittings meets or exceeds that for all Flexicon conduit/tubing

*Quick  
Specs*