



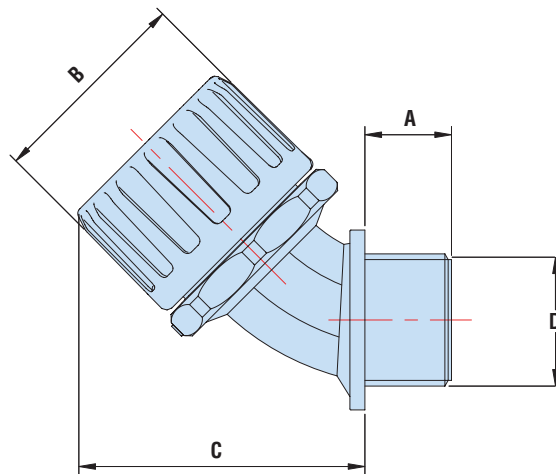
# Flexicon Nylon (PA66) 45° Sweep NPT Thread Fittings

For Flexible, Corrugated Nylon Conduit/Tubing

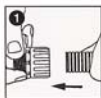
- Use with 16 mm thru 54 mm Flexicon corrugated conduit/tubing, pages 0-1 and 0-2.
- Four NPT thread sizes for use with six conduit sizes.
- Suitable for use with both coarse and/or fine pitch conduit/tubing.
- Unitary design and assembled shipment allows fast fit.
- All nylon construction resists salt water, weak acids, gasoline, alcohol, oil, grease, and common solvents. This feature is not assessed by UL certification and testing.
- No threading of the conduit or tubing is required to install.
- **Locknuts NOT included**, refer to page 0-26 for Nylon Locknuts.
- Suitable for use by all original equipment manufacturers.
- Protection class IP 66 per EN 60529 including high pressure water jet from any angle.
- Vibration and tamper resistant, but easily removed with a screwdriver.
- **Consult factory for FPAX fittings for use in IP 68 or 67 (as well as 66) applications.**

FITS CONDUIT NOMINAL SIZE	PART NO.		DESCRIPTION	THREAD SIZE	PART DIMENSIONS BODY AND SEALING UNIT							
	Black	Gray			A		B		C		D	
					Thread Length	Max. O.A. Diameter	Max. O.A. Length	Clearance Hole	in.	mm.	in.	mm.
16 mm	<b>F8706</b>	<b>F8707</b>	FPA 16-050-45	NPT 1/2	.512	13,0	1.122	28,5	1.634	41,5	.875	22,2
21 mm	<b>F8710</b>	<b>F8711</b>	FPA 21-050-45	NPT 1/2	.512	13,0	1.260	32,0	1.693	43,0	.875	22,2
28 mm	<b>F8716</b>	<b>F8717</b>	FPA 28-075-45	NPT 3/4	.591	15,0	1.732	44,0	2.283	58,0	1.109	28,2
34 mm	<b>F8720</b>	<b>F8721</b>	FPA 34-100-45	NPT 1	.630	16,0	1.988	50,5	2.559	65,0	1.375	34,9
42 mm	<b>F8724</b>	<b>F8725</b>	FPA 42-150-45	NPT 1-1/2	.669	17,0	2.469	62,7	3.189	81,0	1.938	49,2
54 mm	<b>F8728</b>	<b>F8729</b>	FPA 54-150-45	NPT 1-1/2	.669	17,0	2.992	76,0	3.504	89,0	1.938	49,2

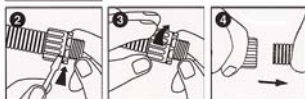
Standard Color: Black or Gray—Consult factory for other colors.  
UL Recognized Components.



**Assembly instructions:**



**Removal instructions:**



*Quick Specs*

Material	Polyamide "Nylon" 6/6-(PA66)
Certifications	Recognized under Underwriters' Laboratories File #E-229161 Approved as per EN50086
Flammability Rating	94 V2 and is Low Fire Hazard Including Low Smoke, Low Toxicity as well as Halogen, Sulphur, and Phosphorous Free
IP Rating	IP 66 standard as per EN60529 IP 66 IP 66&67&68 available—consult factory and specify FPAX fittings
Temp. Rating	The temperature rating for all FPA fittings meets or exceeds that for all Flexicon conduit/tubing.