



Flexicon Nylon (PA66) 90° Sweep PG Thread Fittings

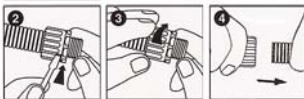
For Flexible, Corrugated Nylon Conduit/Tubing

- For use with 10 mm thru 54 mm Flexicon corrugated conduit/tubing pages, 0-1 and 0-2.
- Nine PG thread sizes for use with eight conduit sizes.
- Suitable for use with both coarse and/or fine pitch conduit/tubing.
- Unitary design and assembled shipment allows fast fit.
- All nylon construction resists salt water, weak acids, gasoline, alcohol, oil, grease, and common solvents. This feature is not assessed by UL certification.
- No threading of the conduit or tubing is required to install.
- **Locknuts NOT included**, refer to page 0-26 for Nylon Locknuts.
- Suitable for use by original equipment manufacturers.
- Protection class IP 66 per EN 60529 including high pressure water jet from any angle.
- Refer to page 0-11 for PG thread specifications.
- Vibration and tamper resistant, but easily removed with a screwdriver.
- **Consult factory for FPAX fittings for use in IP 68 or 67 (as well as 66) applications.**

Assembly instructions:

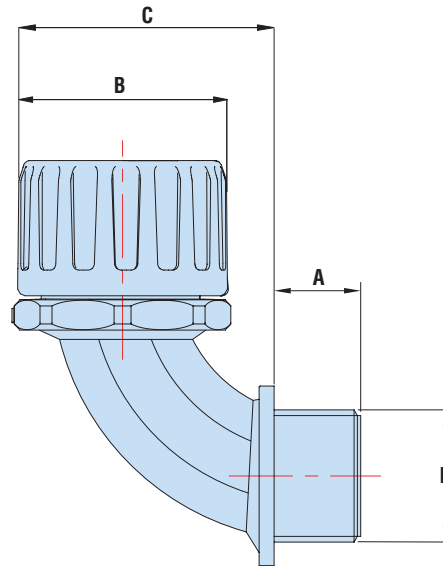


Removal instructions:



FITS CONDUIT NOMINAL SIZE	PART NO.		DESCRIPTION	THREAD SIZE	PART DIMENSIONS BODY AND SEALING UNIT							
	Black	Gray			A		B		C		D	
					Thread Length	Max. O.A. Diameter	Max. O.A. Length	Clearance Hole				
				in.	mm.	in.	mm.	in.	mm.	in.	mm.	
10 mm	F8640	F8641	FPA 10-PG7-90	PG 7	.315	8,0	.748	19,0	.945	24,0	.492	12,5
13 mm	F8642	F8643	FPA 13-PG9-90	PG 9	.394	10,0	.925	23,5	1.437	36,5	.599	15,2
16 mm	F8646	F8647	FPA 16-PG11-90	PG 11	.394	10,0	1.122	28,5	1.535	39,0	.733	18,6
16 mm	F8648	F8649	FPA 16-PG13-90	PG 13	.394	10,0	1.122	28,5	1.614	41,0	.804	20,4
21 mm	F8650	F8651	FPA 21-PG13-90	PG 13	.394	10,0	1.266	32,0	1.614	41,0	.804	20,4
21 mm	F8652	F8653	FPA 21-PG16-90	PG 16	.453	11,0	1.266	32,0	1.614	41,0	.886	22,5
28 mm	F8656	F8657	FPA 28-PG21-90	PG 21	.472	12,0	1.732	44,0	2.094	53,2	1.115	28,3
34 mm	F8660	F8661	FPA 34-PG29-90	PG 29	.472	12,0	1.988	50,5	2.488	62,3	1.470	37,3
42 mm	F8662	F8663	FPA 42-PG36-90	PG 36	.472	12,0	2.469	62,7	3.358	85,3	1.850	47,0
54 mm	F8666	F8667	FPA 54-PG48-90	PG 48	.472	12,0	2.992	76,0	3.831	97,3	2.335	59,3

Standard Color: Black or Gray—Consult factory for other colors.
UL Registered Components.



Quick Specs

Material	Polyamide "Nylon" 6/6—(PA66)
Certifications	Recognized under Underwriters' Laboratories File #E-229161 Approved as per EN50086
Flammability Rating	94 V2 and is Low Fire Hazard Including Low Smoke, Low Toxicity as well as Halogen, Sulphur, and Phosphorous Free
IP Rating	IP 66 standard as per EN60529 IP 66&67&68 available—consult factory and specify FPAX fittings
Temp. Rating	The temperature rating for all FPA fittings meets or exceeds that for all Flexicon conduit/tubing