



# Flexicon Nylon (PA66) 90° Sweep Metric Thread Fittings

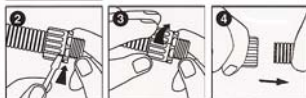
For Flexible, Corrugated Nylon Conduit/Tubing

- For use with 10 mm thru 67 mm Flexicon corrugated conduit/tubing, pages 0-1 and 0-2.
- Seven metric thread sizes for use with eight conduit sizes.
- Suitable for use with both coarse and/or fine pitch conduit/tubing.
- Unitary design and assembly shipment allows fast fit.
- All nylon construction resists salt water, weak acids, gasoline, alcohol, oil, grease, and common solvents. This feature is not assessed by UL certification or testing.
- No threading of the conduit or tubing is required to install.
- **Locknuts INCLUDED.**
- Suitable for use by original equipment manufacturers.
- Protection class IP 66 per EN 60529 including high pressure water jet from an angle.
- Vibration and tamper resistant, but easily removed with a screwdriver.
- **Consult factory for FPAX fittings for use in IP 68 or 67 (as well as 66) applications.**

**Assembly instructions:**

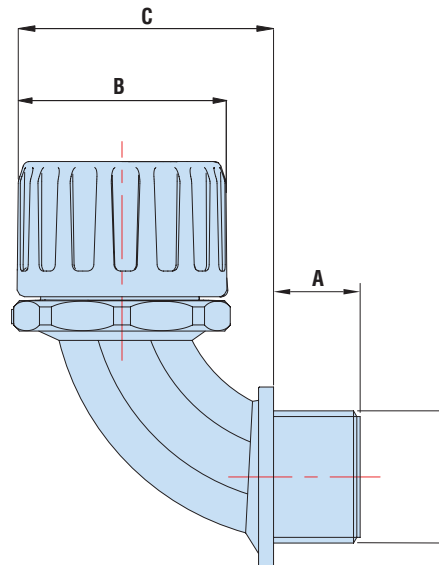


**Removal instructions:**



FITS CONDUIT NOMINAL SIZE	PART NO.		DESCRIPTION	THREAD SIZE	PART DIMENSIONS BODY AND SEALING UNIT							
	Black	Gray			A		B		C		D	
					Thread Length	in. mm.	Max. O.A. Diameter	in. mm.	Max. O.A. Length	in. mm.	Clearance Hole	in. mm.
10 mm	F8670	F8671	FPA 10-M12-90	M12x1,5	.315	8,0	.748	19,0	.945	24,0	.473	12,0
13 mm	F8672	F8673	FPA 13-M16-90	M16x1,5	.453	11,5	.925	23,5	.366	34,7	.630	16,0
16 mm	F8674	F8675	FPA 16-M16-90	M16x1,5	.453	11,5	1.122	28,5	1.476	37,5	.630	16,0
16 mm	F8676	F8677	FPA 16-M20-90	M20x1,5	.512	13,0	1.122	28,5	1.476	37,5	.787	20,0
21 mm	F8680	F8681	FPA 21-M20-90	M20x1,5	.512	13,0	1.260	32,0	1.555	39,5	.787	20,0
28 mm	F8686	F8687	FPA 28-M25-90	M25x1,5	.591	15,0	1.732	44,0	1.988	50,5	.985	25,0
34 mm	F8690	F8691	FPA 34-M32-90	M32x1,5	.630	16,0	1.988	50,5	2.303	58,5	1.260	32,0
48 mm	F8694	F8695	FPA 42-M50-90	M50x1,5	.630	16,0	2.469	62,7	3.268	83,0	1.969	50,0
54 mm	F8696	F8697	FPA 54-M50-90	M50x1,5	.630	16,0	2.992	76,0	3.465	88,0	1.969	50,0
54 mm	F8698	F8699	FPA 54-M63-90	M63x1,5	.630	16,0	2.992	76,0	3.465	88,0	2.480	63,0
67 mm	F8678	F8679	FPA 67-M63-90	M63x1,5	.630	16,0	3.543	90,0	3.740	95,0	2.480	59,3

Standard Color: Black or Gray—Consult factory for other colors.  
UL Registered Components.



Quick Specs

Material	Polyamide "Nylon" 6/6-(PA66)
Certifications	Recognized under Underwriters' Laboratories File #E-229161 Approved as per EN50086
Flammability Rating	94 V2 and is Low Fire Hazard Including Low Smoke, Low Toxicity as well as Halogen, Sulphur, and Phosphorous Free
IP Rating	IP 66 standard as per EN60529 IP 66&67&68 available—consult factory and specify FPAX fittings
Temp. Rating	The temperature rating for all FPA fittings meets or exceeds that for all Flexicon conduit/tubing