



# Heyco-Flex™ Nylon Straight NPT Fittings

For Flexible, Nonmetallic Liquid Tight Conduit and Tubing

**US Patent No. 4,900,068**

Foreign Patents

- Eight sizes for use with 1/4" thru 2" Heyco-Flex Conduit and Tubing, see pages 0-15 and 0-16.
- All nylon construction resists salt water, weak acids, gasoline, alcohol, oil, grease, and common solvents. This feature is not assessed by UL certification and testing.
- **No disassembly required.** Instead, the installer simply pushes the conduit or tubing onto the ferrule, then tightens the domed sealing nut. This completed assembly can then be secured in the panel by the locknut or into an NPT threaded hole.
- No threading of the conduit or tubing is required to install. This eliminates the possibility of cutting the conduit and creating leak paths.
- Complete conduit/connector system is reusable. Conduit will not wind tight onto the connector during assembly and can be easily removed by pulling while turning in a clockwise direction.
- Use of a sealing washer may be required for wet locations. See page 0-27.
- Suitable for indoor/outdoor use; for original equipment manufacturers or field installers.
- Protection class IP 68 up to 70 psi (5 bar) water pressure.
- Black connectors provided with nylon locknut; packed separately.
- Gray connectors provided with assembled O-ring and metal locknuts.
- See page 0-25 and 0-26 for locknut dimensions.

FITS CONDUIT/TUBING TRADE SIZE	PART NO.		DESCRIPTION	THREAD SIZE	PART DIMENSIONS BODY AND SEALING UNIT								SEALING WASHER PART NO.
	Black	Gray			A Clearance Hole		B Max. O.A. Height		C Max. O.A. Length		D Thread Length		
					in.	mm.	in.	mm.	in.	mm.	in.	mm.	
3/8	8400	8401	*HFC 3/8	1/2" NPT	†.875	22,2	1.38	35,1	.625	15,9	.250	6,3	3260
1/2	8402	8403	*HFC 1/2	3/4" NPT	1.109	28,2	1.41	35,8	.625	15,9	.250	6,3	3261
3/4	8404	8405	*HFC 3/4	1" NPT	1.375	35,0	1.47	37,3	.781	19,8	.250	6,3	3262
1	8406	8407	*HFC 1	1-1/4" NPT	1.688	42,9	2.12	53,8	.715	18,2	.250	6,3	-
1-1/4	8638	8639	HFC 1-1/4 PVC	1-1/2" NPT	1.938	49,2	2.42	61,5	.680	17,3	.250	6,3	-
1-1/2	8640	8641	HFC 1-1/2 PVC	2" NPT	2.375	60,3	2.49	63,2	.680	17,3	.250	6,3	-

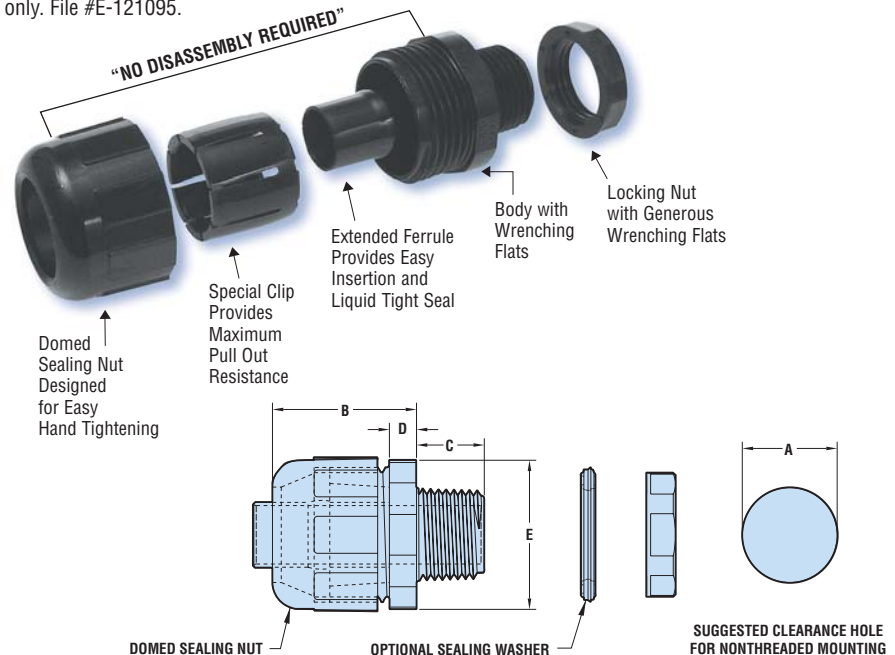
Standard Colors: Black or Gray.

\*UL and CSA Approved. †Fittings used to attach two different conduit sizes to the same size hole.

"PG" Threaded Hub for 1/4" Heyco-Flex II Tubing													
1/4	8398	-	*HFC 1/4-PG-7	PG 7	.492	12,5	1.13	28,7	.445	11,3	.21	5,3	3258

Standard Color: Black.

\*UL only. File #E-121095.



Quick Specs

Material	6/6 "Nylon" Sizes >1" are PVC
Certifications	UL Listed under Underwriters' Laboratories File #E-28430 CSA Certified by Canadian Standards Association File #LL-84579 and #LR-81067
Flammability Rating	94V-2 for nylon fittings only