



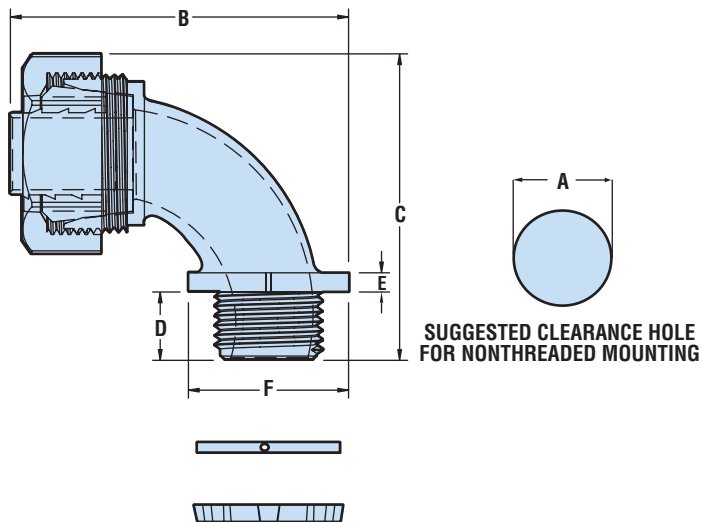
# Metallic Sweep Conduit Fittings

## For Nonmetallic Liquid Tight Conduit

- Designed specifically for electrical applications.
- For outside, inside, and industrial uses including transformer connections, air conditioning, and heating.
- Provides smooth connection, no sharp edges to strip wire.
- Wiring easily pulled through.
- Suitable for use in both wet and dry location.
- UL Listed, CUL Listed.
- Cost effective die-cast zinc construction provides durability and resists rough environments.
- Furnished with locknut and plastic sealing ring.
- Suitable for indoor or outdoor use.
- Fits the most common sizes of nonmetallic liquid tight conduit.
- For use with Heyco Flex I and Flex II Liquid Tight Conduit and Tubing. See Pages 0-15 and 0-16

FITS CONDUIT/TUBING TRADE SIZE	PART NO.	DESCRIPTION	PART DIMENSIONS BODY AND SEALING UNIT											
			A		B		C		D		E		F	
			Clearance Hole in.	mm.	Max. O.A. Length in.	mm.	Max. O.A. Height in.	mm.	Thread Length in.	mm.	Wrenching Nut Thk. in.	mm.	Wrenching Flats in.	mm.
1/2	9796	HFC-Z 1/2-90	.875	22,2	2.50	63,4	2.260	57,4	.504	12,8	.142	3,6	1.181	30,0
3/4	9797	HFC-Z 3/4-90	1.109	28,2	2.846	72,3	2.465	62,6	.508	12,9	.197	5,0	1.409	35,8

Supplied with sealing ring and locknut.



Quick Specs

Materials  
Certifications  
Ingress Protection

Die cast zinc  
 Listed under UL File #E-206446  
 Liquid tight when used with Heyco Flex I and Flex II conduit and tubing