



# Heyco® Right Angle Strain Relief Bushings

## For Round Cables

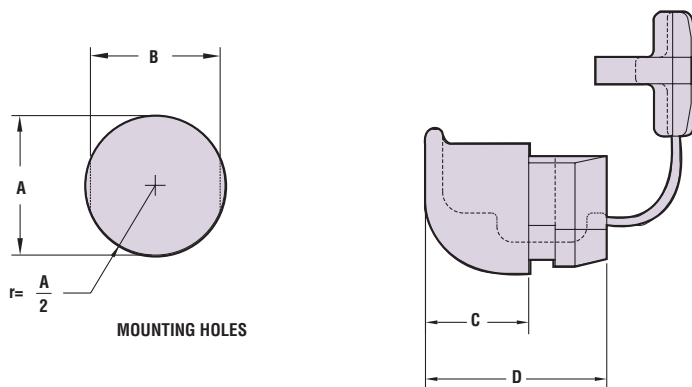


WILL FIT THESE CABLES			PANEL DIMENSIONS						PART NO.		DESCRIPTION	PART DIMENSIONS				
UL Type Designation	AWG/ Conductors	Approx. Diameter	A Mounting Hole Dia.		B To Prevent Rotation		Maximum Panel Thickness <sup>1</sup>		Black	White		C Head Length		D Body Length		
		in. mm.	in.	mm.	in.	mm.	in.	mm.			in.	mm.	in.	mm.		
SV & SVT	18/2	.250	6,3	.500	12,7											
	18/3	.265	6,7	.500-.515	12,7-13,1											
HPD	18/2	.270	6,9	.500	12,7	.450	11,4	.100	2,5	<b>1374</b>	<b>1375</b>	SR 15-1	.390	9,9	.687	17,5
	16/2	.290	7,4	.500-.515	12,7-13,1											
SJ, SJT & SJO	18/2	.300	7,6	.625	15,9	.550	14,0	.125	3,2	<b>1320</b>	<b>1321</b>	SR 10-2	.562	14,3	.968	24,6
	16/2	.325	8,3													
	18/3	.330	8,4													
	16/3	.330	8,4													
SJ, SJT & SJO	16/2	.325	8,3	.625	15,9	.550	14,0	.125	3,2	<b>1327</b>	<b>1328</b>	SR 11-2	.562	14,3	.968	24,6
	18/3	.330	8,4													
	16/3	.355	9,0													
	Same as SR 11-2 above except															
SJT	18/4	.360	9,1					.200	5,1	<b>1330</b>	<b>1331</b>	SR 11K-2	.562	14,3	.968	24,6
	14/3	.370	9,4													
S & ST	18/2	.390	9,9	.750	19,0	.660	16,8	.125	3,2	<b>1397</b>	<b>1398</b>	SR 17-2	.640	16,3	1,093	27,7
	18/3	.405	10,3													
	16/2	.405	10,3													
	16/3	.430	10,9	.750-.781	19,0-19,8											

- Provides the same protection for your power supply cable as the straight-thru type AND...
- Exits the cable flush against the chassis, saving space and directing the cable parallel to the panel.
- Overcomes space limitations and acts as a back or bottom bumper.
- Standardize panel design! Fill unused SR mounting holes with Heyco Double "D" Plugs, page 2-21.
- See pages 2-24, 2-25, and 2-26 for assembly tools and SR hole punches.

Standard Colors: Black or White. Consult Heyco for other colors.

<sup>1</sup> Maximum Panel Thickness—Part has additional clearance.



**Material** 6/6 "Nylon"  
**Certifications** Recognized under the Component Program of Underwriters' Laboratories File #E-15331  
 Certified by the Canadian Standards Association File #LR-8919  
**Flammability Rating** 94V-2  
**Material Temperature Index** 125°C—Maximum temperature on part not to exceed 105°C

*Quick Specs*