



Heyco® Strain Reliefs

USR Series—US Patent No. 5,052,643 Foreign Patents



Cross Section	WILL FIT THESE CABLES		PANEL DIMENSIONS						PART NO.	DESCRIPTION
	Approximate Size		A		B		Maximum Panel Thickness			
	in.	mm.	Mounting Hole Dia. in.	mm.	To Prevent Rotation in.	mm.	in.	mm.		
Round or Flat	up to .400	up to 10,2	.875	22,2	.770	19,6	.125	3,2	1724	USR-400
Flat	up to .250 x .400	6,4 x 10,2	.875	22,2	.770	19,6	.125	3,2	1726	USR-401
Round	up to .400	up to 10,2	.875	22,2	.770	19,6	.125	3,2	1730	USR-40

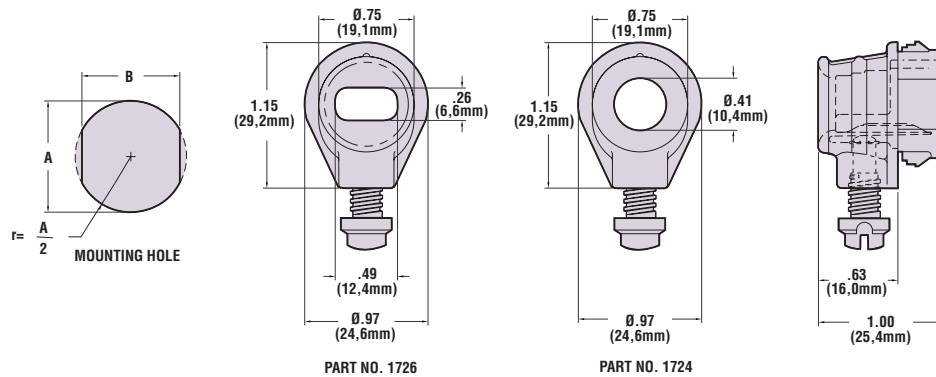
Standard Color: Black. Consult Heyco for other colors. Consult factory for color matching, prices, and minimum order quantities.

For European Requirements

Designed to meet those requirements wherein the Strain Relief device must remain attached to the panel during cable removal or replacement.

US Patent No. 5,052,643

- Captive screw cannot be removed from body during cable removal or replacement. (The screw forces the locking flap against the cable.)
- Reinforcing ribs provide extra strength.
- Nylon USR-400 series parts may help you comply with IEC Publication #335, CEE #10 and #11; VDE #0720, #0730, and others.
- Protects your cable against forces of pull, push, twist, and FLEX; prevents use of larger-than-intended cord diameter.
- Easy panel installation: fingertip pressure locks bushing into 7/8" (22,2 mm) holes with wall thickness up to .125" (3,2 mm).
- No need for separate cord guard. The bushing cord exit features a bell-mouth contour, radiuses at 1-1/2 times the exit hole diameter.
- USR-40 uses captive metal screw and USR-400/401 uses captive acetyl screw.



USR-400, USR-401, USR-40

International Approvals:

CSA CANADA	UL UNITED STATES	GERMANY	DENMARK	SEV SWITZERLAND	NEMKO NORWAY	SETI FINLAND	SEMKO SWEDEN
Certified LR-81067	Listed E103540	Report 9977 1490-4003/A1K	Certificate #106445 EC/121	Registered	Certificate #187925	Certificate #151406-01..02	Certificate #9292179

Material	6/6 "Nylon"
Certifications	<ul style="list-style-type: none"> UL Listed under Underwriters' Laboratories File #E-103540 CSA Certified by the Canadian Standards association File #LR-81067 Approval Report 9977-1490-4003/A1K
Flammability Rating	94V-2
Material Temperature Index	125°C—Maximum temperature on part not to exceed 105°C

Quick Specs