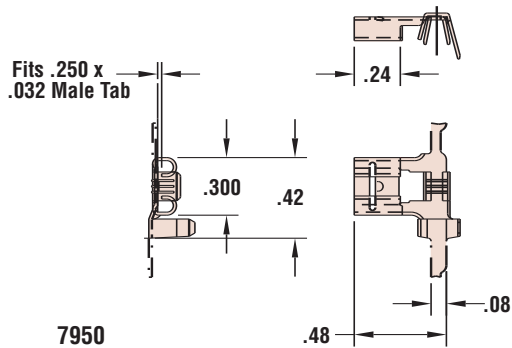




Flag Insulation Support Terminals

PART NO.	MATERIAL	WIRE RANGE	FEEDS	MATING TAB DIMENSION	STOCK DIAMETER	PART DIMENSIONS			
						Insulation Thickness	W	L	D
7950	Brass	18-14 AWG	Traverse	.250 x .032	.016	.110/.160	.300	.480	.240
7951	Pre-tin Brass								
*7952	Brass								
*7953	Pre-tin Brass								

*Indicates a left-handed flag.



- Available in brass and pre-tinned brass.
- Quick Connects allow you to easily choose the right terminals for your application.
- Field Tested.
- Can be applied with your existing equipment or with Heyco applicators.
- These applicators offer reliable connections semi-automatically and by integration into automated termination.
- Most popular configurations available:
 - .250" flag
- Listed under Underwriters' Laboratories File #E-137778.
- Certified by Canadian Standards Association File #LR-97795.

Flag Terminals

PART NO.	MATERIAL	WIRE RANGE	FEEDS	MATING TAB DIMENSION	STOCK DIAMETER	PART DIMENSIONS		
						W	L	D
7910	Brass	24-18 AWG	Traverse	.110 x .020	.010	.148	.310	.150
7911	Pre-tin Brass							
7912	Brass							
7913	Pre-tin Brass							

