



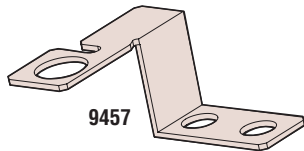
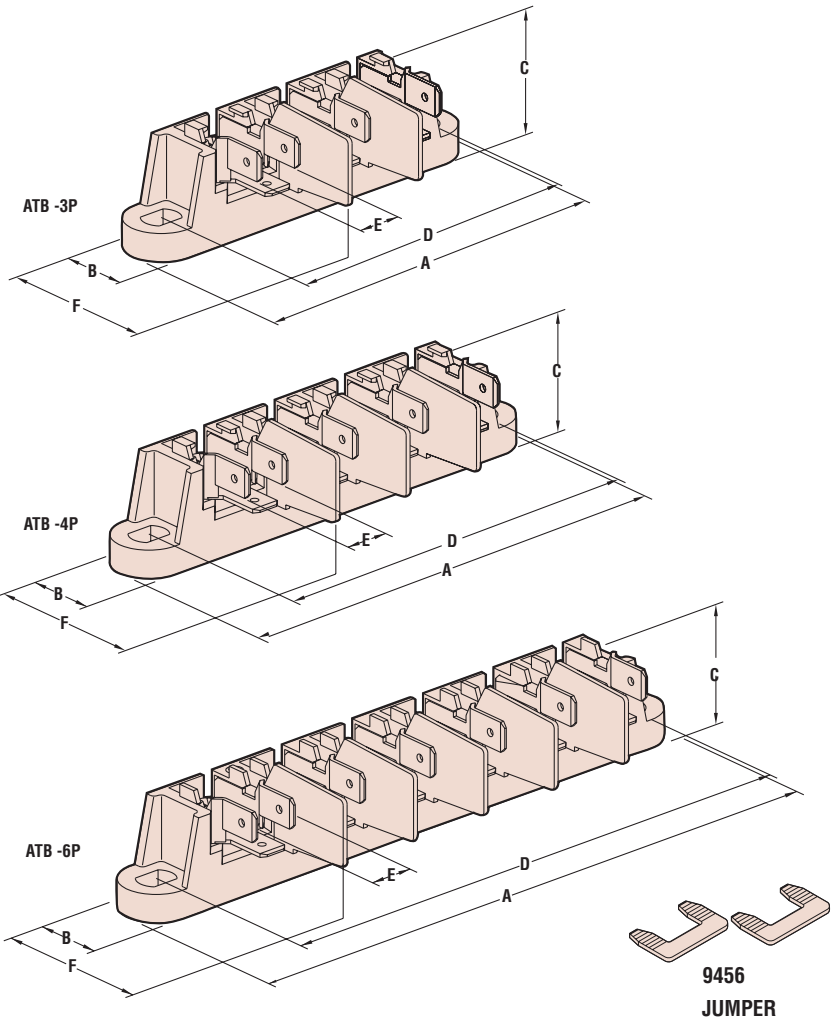
Heyco® Screw to Tab Terminal Blocks

Screw to (3) Tabs for Electrical Ranges

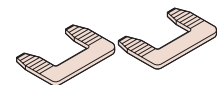
- Three .250" by .031" (6,3 by 0,8mm) tabs per pole.
- ATB-3P poles are marked 1, 2, and .
- ATB-4P poles are marked 1, 2, 3 and .
- ATB-6P poles are marked 1, 2, 3, 4, 5 and .
- All sizes are rated at 600 volts (450 volts in Europe).
- Self-grounding version is available. Identical to the base parts except that an extension on the grounding pole makes direct contact with the chassis. The extension is secured with two self-tapping screws.
- Molded of type 6/6 glass filled nylon. Self-extinguishing. Flammability classification 94V-0; temperature index 150°C.
- Ground contact (**Part No. 9457**)—Grounds terminal block to the chassis. May be ordered separately or with the listed Appliance Terminal Blocks.
- Jumper (**Part No. 9456**)—To connect terminal block poles. For use with Heyco's Screw to Tab terminal blocks.
- Recognized under the Component Program of Underwriters' Laboratories File #E-197025.

AWG	MM ²	AMPS	POLES	PART NO.	DESCRIPTION	Screws (Metric)	PART DIMENSIONS											
							A		B		C		D		E		F	
							in.	mm.	in.	mm.	in.	mm.	in.	mm.	in.	mm.	in.	mm.
8-18	10	40	3	9450	ATB-3P FR	M5,0	3.19	81,0	.59	15,0	1.00	25,4	2.60	66,0	.41	10,4	1.48	37,5
8-18	10	40	3	9451	ATB-3P FR w/ Ground	M5,0	3.19	81,0	.59	15,0	1.00	25,4	2.60	66,0	.41	10,4	1.48	37,5
8-18	10	40	4	9452	ATB-4P FR	M5,0	3.90	99,0	.59	15,0	1.00	25,4	3.31	84,0	.41	10,4	1.48	37,5
8-18	10	40	4	9453	ATB-4P FR w/ Ground	M5,0	3.90	99,0	.59	15,0	1.00	25,4	3.31	84,0	.41	10,4	1.48	37,5
8-18	10	40	6	9454	ATB-6P FR	M5,0	5.31	135,0	.59	15,0	1.00	25,4	4.72	120,0	.41	10,4	1.48	37,5
8-18	10	40	6	9455	ATB-6P FR w/ Ground	M5,0	5.31	135,0	.59	15,0	1.00	25,4	4.72	120,0	.41	10,4	1.48	37,5
					9456	Jumper for Screw to Tab Poles												
					9457	Ground for Screw to Tab TB												

Standard Color: Flame retardant brown.



9457
GROUND CONTACT



9456
JUMPER