

Tinnerman® Plastic Fasteners

The dimensions of the above parts are envelope dimensions only. For complete design information, please request a blueprint from your Tinnerman representative or the Tinnerman Engineering department.

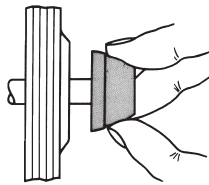
Metric parts listed in italic



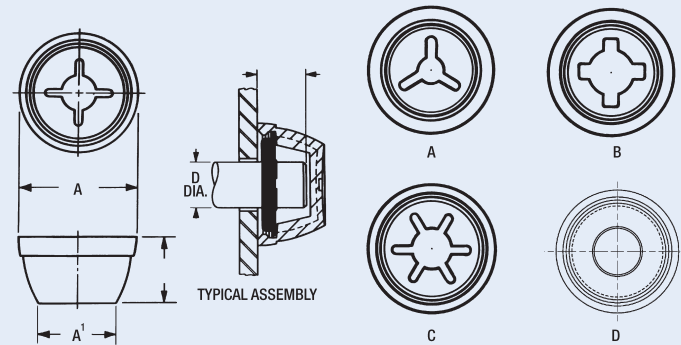
Cap Type Push-On Plastic Fasteners

Tinnerman® **Plastic Cap Nuts** combine the good looks and durability of high density linear polyethylene with the reliability of high carbon spring steel. Used over shaft, stud or rod ends for a multitude of uses they will enhance any product by adding color while providing dependable, vibration resistant assembly. Available in eight attractive standard colors, they may also be color matched in quantity orders. Wherever decorator colors are needed, colorful Tinnerman **Plastic Caps** can add substantially to a product sales appeal.

How to apply Cap Type Push-On Plastic Fasteners



Simply zipped down the axle, shaft or stud, the Tinnerman® spring steel insert bites hard for positive retention. Properly applied, the **Cap Nut** will never loosen and fall off.



D Stud Dia.	Design Variation	A Dia.	A1 Dia.	E Height	L Stud Depth	Part Number
.125	A	.650	.370	.350	.125-.250	C60002-125
.156	Std.	.650	.370	.350	.125-.250	C60002-156
.187	Std.	.650	.370	.350	.125-.235	C60002-187
.218	Std.	.650	.370	.350	.125-.170	C60002-218
	Std.	.835	.550	.460	.200-.343	C60008-218
.250	A	.650	.370	.350	.125-.150	C60202-250
	B	.650	.370	.350	.125-.150	C60002-250
	D	.650	.370	.350	.125-.150	C62349-250
	D	.650	.370	.350	.125-.150	C62301-250**
	Std.	.835	.550	.460	.200-.343	C60008-250
.281	C	1.250	.830	.650	.250-.468	C60929-250
	B	.650	.370	.350	.125-.130	C60002-281
.296	Std.	.835	.550	.460	.200-.343	C61297-296
.312	Std.	.835	.550	.460	.200-.343	C60008-312
.354	Std.	.835	.550	.460	.200-.343	C60008-354
.375	Std.	.835	.550	.460	.200-.343	C60008-375
	C	1.250	.830	.650	.250-.468	C60929-375
<i>10.000</i>	<i>Std.</i>	<i>21.209</i>	<i>13.970</i>	<i>11.684</i>	<i>5.080-8.712</i>	<i>C60008-1000M†</i>
.437	C	.835	.550	.460	.200-.343	C60008-437
	C	1.250	.830	.650	.250-.468	C60929-437
.500	C	.895	.610	.460	.200-.343	C61727-500
	C	1.250	.830	.650	.250-.468	C60929-500
.625	C	1.250	.830	.650	.250-.468	C60929-625

†Metric stud. Other metric sizes available on special order

**C62301-250 has Stainless Steel insert

Available Colors

Plastic Cap Fasteners are available in eight standard colors:

Natural	(-801)	Black	(-805)
White	(-802)	Silver	(-806)
Red	(-803)	Yellow	(-807)
Blue	(-804)	Green	(-808)

When ordering, add the dash number shown next to color selected, to the part number.
Example: C60002-125-801 (natural)