

Material: All parts are **Spring Steel**, heat treated, unless otherwise specified.
 The only variations available are those shown with suffix letters in the part number.
 SS – Stainless Steel BE – Beryllium Copper P – Phosphor Bronze

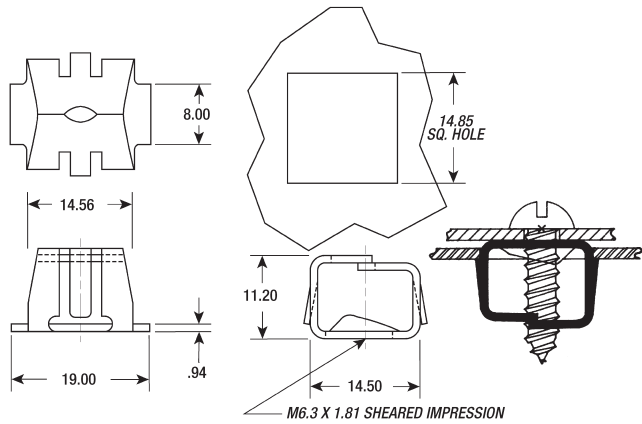


Special Expansion-Type Fasteners

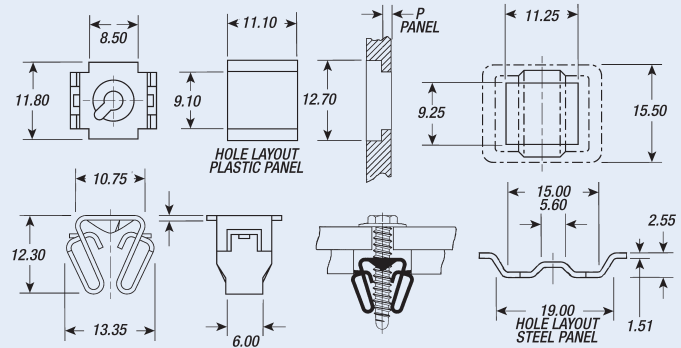
Special Expansion-Type Tinnerman Fasteners

On this page are examples of **Expansion-Type Fasteners** which have been developed to solve specific fastening problems. The expansion principle is the same, but forms vary to: plug a temporarily unused hole, provide vibration-resisting adjustment, fasten in wood, heavy gauge metal or odd-shaped panel holes. They illustrate Tinnerman's ability to help the manufacturer fasten his product better, faster and at lower cost.

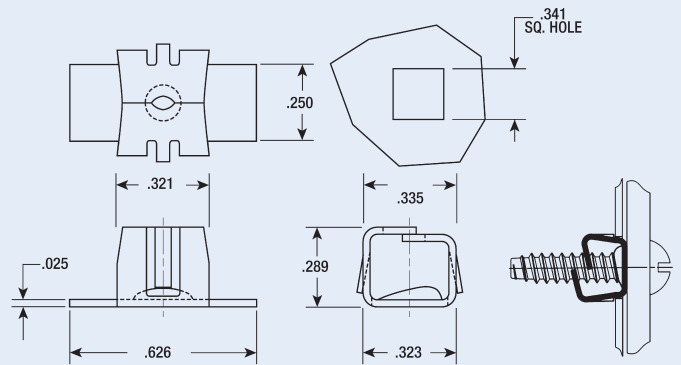
Perhaps one of these "**Specials**" will suit or suggest an answer to your particular fastening problems.



Screw Size	P Panel Range	T Material Thickness	Part Number
M6.3x1.81	.900-1.200	.940	C71690-M63181



Screw Size	P Panel Range	T Material Thickness	Part Number
M4.2	2.300-2.800	.640	D98664-064M
	2.300-2.800	.710	D98627-071M



Screw Size	P Panel Range	T Material Thickness	Part Number
8B	.028-.039	.025	D98621-8Z
	.039-.059	.025	D98683-8Z