

Tinnerman® One-Piece Self Sufficient Clips

The dimensions of the above parts are envelope dimensions only. For complete design information, please request a blueprint from your Tinnerman representative or the Tinnerman Engineering department.

Metric parts listed in italic



Trim Clip Fasteners

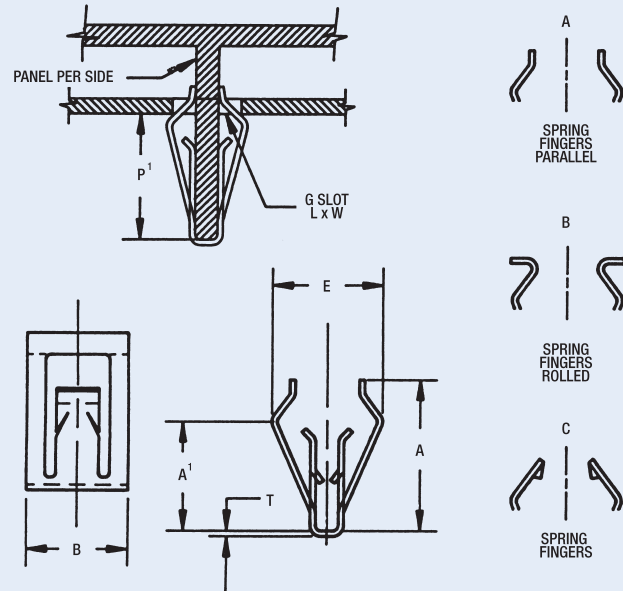
Trim Clip Fasteners recently introduced, these unique Tinnerman fasteners have real potential as a general purpose fastener.

Designed for use over rectangular studs or integrally molded blades, ribs, etc., on trim strips, access plates, or any light application where removability is a factor.

How to apply Trim Clip Fasteners

The **Trim Clip** is simply pressed over the stud, blade, rib, etc., with the barbed, u-shaped retaining legs fully seated. Then, as part of the strip or plate assembly, is pressed into assembled position on the panel, frame, door, appliance, or whatever.

Rectangular mounting holes or gaps between panel or frame members serve as anchor points for the clip. The self-equalizing retaining legs are formed into a dart-type configuration for easy mounting. They assure a snug, rattle free installation, yet will yield to deliberate removal force applied to the trim or plate.



P Panel Range	P1 Panel Range	Des. Var.	A Leng.	A1 Leng.	B Width	E Height	G Mounting Hole	T Mat'l. Thick.	Part Number
1.000-1.500	2.500 - 3.000	B	16.200	10.400	10.000	10.700	8.500 x 16.000	.510	C57951-051M
1.120-1.380	---	B	18.200	10.700	10.000	9.000	6.000 x 12.000	.560	D98676-056M
1.170-1.430	6.460 - 6.460	C	9.500	4.600	10.500	7.800	6.250 x 11.000	.430	D98646-043M
1.250-1.750	---	A	12.000	5.100	17.800	6.100	5.400 x 25.400	.510	C57979-051M
	5.000 - 6.700	Std.	12.000	5.100	17.800	6.100	5.400 x 25.400	.510	C58179-051M
	5.700 - 5.700	B	13.000	5.500	11.000	6.100	5.400 x 25.400	.360	C58005-036M
1.300-1.800	8.000 - 8.000	C	12.900	4.700	11.000	6.100	5.300 x 25.400	.430	C57998-043M
	8.200 - 8.200	C	12.900	5.400	11.000	6.100	5.300 x 25.400	.430	C58306-043M
1.370-1.770	12.130 - 12.130	C	16.500	10.200	10.000	12.000	8.250 x 20.000	.510	D98648-051M
1.600-2.000	---	C	15.100	6.250	10.250	12.000	8.250 x 20.000	.510	D98721-051M
1.700-2.000	---	A	14.880	6.750	10.000	12.700	8.000 x 18.000	.510	D98641-051M
1.700-2.100	---	A	16.000	9.140	10.000	12.800	8.250 x 16.000	.510	D98714-051M
	12.130 - 12.130	A	16.500	10.200	10.000	12.500	8.250 x 16.000	.510	D98595-051M
	12.130 - 12.130	A	16.500	10.200	10.000	12.500	8.250 x 16.000	.510	D98568-051M
	12.130 - 12.130	A	16.500	10.200	10.000	12.500	8.250 x 16.000	.560	D98568-056M
	12.130 - 12.130	B	16.500	10.200	10.000	12.500	8.250 x 16.000	.510	D98674-051M
	---	B	16.500	10.200	10.000	12.500	8.250 x 16.000	.510	D98640-051M
	---	B	14.550	8.800	10.000	14.000	10.800 x 19.200	.560	D98653-056M
1.800-2.250	---	A	14.250	10.400	10.000	10.700	8.500 x 16.000	.510	D98460-051M
	12.300 - 12.300	B	14.250	10.400	10.500	10.700	8.500 x 16.000	.510	D98666-051M
2.000-2.250	---	A	7.400	4.500	10.500	7.500	5.500 x 12.700	.300	D98597-030M