



Heyco Cord Grip Options for various Solar Wire Constructions

Wire Type	Size	# of Conductors	Heyco NPT Cord Grip	Description
USE 2	10	2	M3231GAE	NPT 1/2" Cord Grip
USE 2	10	3	M3234GAF	NPT 3/4" Cord Grip
USE 2	10	4	M3234GAG	NPT 3/4" Cord Grip
USE 2	10	5,6,7,8,9	M8437GBK-SM	NPT 1" 9 Hole Masthead Skinned Cord Grip
USE 2	10	10,11,12,13	M4524GBM-SM	NPT 1-1/4" 13 Hole Masthead Skinned Cord Grip
USE 2	12	2	M3231GAC	NPT 1/2" Cord Grip
USE 2	12	4	M3234GAD	NPT 3/4" Cord Grip
USE 2	12	5,6,7,8,9	M8437GBK-SM	NPT 1" 9 Hole Masthead Skinned Cord Grip
USE 2	12	10,11,12,13	M4524GBM-SM	NPT 1-1/4" 13 Hole Masthead Skinned Cord Grip
PV 1000 Volt	12	2	M3200GAJ	NPT 1/2" Cord Grip
PV 1000 Volt	12	4	M3234GBC	NPT 3/4" Cord Grip
PV 1000 Volt	12	5,6,7,8,9	M8437GBK-SM	NPT 1" 9 Hole Masthead Skinned Cord Grip
PV 1000 Volt	12	10,11,12,13	M4524GBM-SM	NPT 1-1/4" 13 Hole Masthead Skinned Cord Grip
XHHW-2	10,12	5,6,7,8,9	M8437GBF	NPT 1" 9 Hole Masthead Cord Grip
XHHW-2	10,12	10,11,12,13	M4524GBG	NPT 1-1/4" 13 Hole Masthead Cord Grip



Heyco® Liquid Tight Cordgrips Multi-Hole, NPT Hubs

- All accompanying Cordgrips are made of nylon construction with TPE sealing glands that resist salt water, weak acids, gasoline, alcohol, oil, grease, and common solvents. This feature is not assessed by UL certification or testing.
- Temperature Rating: -22°F (-30°C) to 212°F (100°C).
- IP Rating: IP 68 per DIN 40050 up to 70 psi (5 bar) water pressure.
- Flammability Rating: 94V-2 Standard.
- **Locknuts are NOT included.**
- For body part dimensions see page 2-11.
- **Multi-hole glands are only to be used with Heyco Liquid Tight Cordgrips and are not sold separately.**

PART NO. Black	DESCRIPTIONS	GLAND CONFIGURATIONS	PART NO. Black	DESCRIPTIONS	GLAND CONFIGURATIONS
M3228GH	LTCG 3/8	2- 1,7 mm holes	M3234GAN	LTCG 3/4	2- 7,4 mm holes
M3228GP	LTCG 3/8	2- 3,0 mm holes	M3234GAQ	LTCG 3/4	2- 8,0 mm holes
M3228GJ	LTCG 3/8	3- 1,7 mm holes	M3234GAF	LTCG 3/4	3- 5,2 mm holes
M3228GAP	LTCG 3/8	4- 1,4 mm holes	M3234GAM	LTCG 3/4	3- 7,0 mm holes
M3228GK	LTCG 3/8	4- 1,7 mm holes	M3234GAD	LTCG 3/4	4- 5,0 mm holes
M3228GM	LTCG 3/8	4- 2,3 mm holes	M3234GAG	LTCG 3/4	4- 5,2 mm holes
M3228GG	LTCG 3/8	5- 1,6 mm holes	M3234GAC	LTCG 3/4	4- 5,2 mm holes
M3228GG	LTCG 3/8	5- 1,6 mm holes	M3234GBC	LTCG 3/4	4- 6,0 mm holes
M3228GAZ	LTCG 3/8	6- 1,4 mm holes	M3234GZA	LTCG 3/4	9,9 x 4,9 mm flat
M3228GE	LTCG 3/8	10-1,4 mm holes	M3234GZB	LTCG 3/4	10,7 x 5,3 mm flat
M3231GN	LTCG 1/2	2- 2,5 mm holes	M3234GZE	LTCG 3/4	12,5 x 6,2 mm flat
M3231GT	LTCG 1/2	2- 3,8 mm holes	M3234GZF	LTCG 3/4	13,4 x 6,6 mm flat
M3231GAB	LTCG 1/2	2- 4,2 mm holes	M3234GZG	LTCG 3/4	16,1 mm x 4,8 mm flat
M3231GAC	LTCG 1/2	2- 5,0 mm holes	M8437GAS	LTCG 1	4- 9,0 mm holes
M3231GAE	LTCG 1/2	2- 5,2 mm holes	M8437GAX	LTCG 1	4- 9,5 mm holes
M3231GL	LTCG 1/2	3- 2,0 mm holes	M8437GAL	LTCG 1	6- 6,5 mm holes
M3231GQ	LTCG 1/2	3- 3,0 mm holes	M8437GZH	LTCG 1	17,5 mm x 4,8 mm flat
M3231GX	LTCG 1/2	3- 4,0 mm holes	M4524GAT	LTCG 1-1/4	5- 9,0 mm holes
M3231GS	LTCG 1/2	6- 3,0 mm holes	M4524GAL	LTCG 1-1/4	6- 6,5 mm holes
M3231GZA	LTCG 1/2	9,9 x 4,9 mm flat	M4524GAR	LTCG 1-1/4	6- 8,0 mm holes
M3231GZB	LTCG 1/2	10,7 x 5,3 mm flat	M4524GAW	LTCG 1-1/4	7- 9,0 mm holes
M3200GAJ	LTCG LL1/2	2- 6,0 mm holes			
M3200GQ	LTCG LL1/2	3- 3,0 mm holes			
M3200GX	LTCG LL1/2	3- 4,0 mm holes			
M3200GAH	LTCG LL1/2	3- 5,6 mm holes			
M3200GR	LTCG LL1/2	4- 3,0 mm holes			
M3200GY	LTCG LL1/2	4- 4,0 mm holes			
M3200GZ	LTCG LL1/2	5- 4,0 mm holes			
M3200GS	LTCG LL1/2	6- 3,0 mm holes			
M3200GW	LTCG LL1/2	6- 3,8 mm holes			
M3200GBB	LTCG LL1/2	6- 4,0 mm holes			

Standard color black. Consult factory for Cordgrips molded in other colors.

Quick Specs

Material	TPE (gland) and 6/6 Nylon (body)
Flammability Rating	94V-2 Standard
Temperature Rating	-22°F (-30°C) to 212°F (100°C)
IP Rating	IP 68 per DIN 40050 up to 70 psi (5 bar) water pressure



Heyco is happy to announce the next generation of our Heyco Solar Masthead™ brand of Cordgrips – **The Heyco Solar Masthead™ II Cordgrips.**

This new version of the Masthead™ Cordgrips offers all of the same benefits as our existing Masthead Cordgrips. However, due to the thin membrane of Santoprene covering the gland, the user can choose how many wires to use, from 1 to 13, by piercing the wire through the dimpled portion of the gland. Regardless of how many wires the user chooses to use, the gland around the wires will retain a liquid tight seal.

Both types of Heyco Masthead™ Cordgrips can be used for solar rooftop installations in place of **or** in conjunction with rooftop combiner boxes for faster connection and lower installed cost. They are less expensive, easier to install and more aesthetically pleasing than combiner boxes when making ground level connections directly to an inverter. The Cordgrips are threaded into an adapter (**also available for purchase through Heyco**) that can be attached directly to rigid (PVC) or EMT type conduit.

Please see the attached sheet for additional information on the Heyco Solar Masthead™ and Masthead™ II Cordgrips.

In addition to the Solar Masthead™ Cordgrips, Heyco offers over 120 Multi-Hole Cordgrips that are available in various sizes and gland configurations with PG, NPT and Metric Hubs. Multi-Hole Cordgrips can be used in numerous applications in addition to solar including Industrial Equipment, Medical Equipment, Motors & Generators, Pumps, Control Panels, Hydraulic Lifts, Scientific & Other Instruments, and Robotics.

For more information on this product line, or any of Heyco's or to order free samples, please visit our website at www.heyco.com or call Heyco's Customer Service Dept at 800-526-4182



Heyco® Solar Masthead™ II Cordgrips

Accommodates USE-2 12 AWG and 10 AWG wire

Skinned-over gland remains liquid tight, independent of the number of wires used

- Skinned-over glands in the Solar Masthead II Cordgrips offer flexibility to use from 1 to 13 of the available holes while still providing a liquid tight seal around the wire.
- Designed for solar rooftop installations.
- Provides a watertight seal for PV module output leads to inverters.
- Secures input PV leads from solar panel array strings to fuse holder hookup within solar combiner boxes.
- Eliminates the need for combiner box in residential rooftop solar applications when appropriate threaded adaptor is used.
- Generous wrenching flats for ease of assembly.
- No disassembly required for installation.
- UV resistant nylon construction with TPE or Buna N Sealing Gland resists salt water, weak acids, gasoline, alcohol, oil, grease, and common solvents.
- Contact Heyco for other sizes and gland configurations.
- Patent Pending

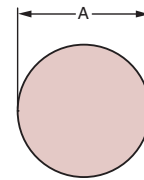
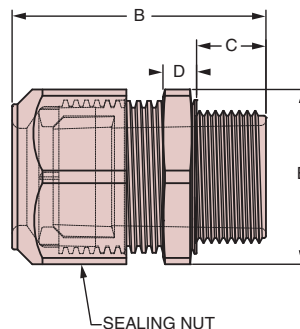
PART NO.	DESC.	GLAND CONFIGURATIONS	PART DIMENSIONS									
			A Clearance Hole		B Max O.A. Length		C Thread Length		D Wrenching Nut Thk.		E Wrenching Flats	
Black			in.	mm.	in.	mm.	in.	mm.	in.	mm.	in.	mm.
M8437GBK-SM	SMCG 1	9 - 5,5mm holes	1.33	33,7	2.41	61,2	.76	19,3	.30	7,6	1.73	43,9
M4524GBM-SM	SMCG 1-1/4	13 - 5,5mm holes	1.68	42,7	2.69	68,3	.78	19,8	.30	7,6	2.05	52,1



Heyco® Solar Masthead™ Cordgrips

Accommodates XHHW-2 12 AWG and 10 AWG wire

PART NO.	DESCRIPTION	GLAND CONFIGURATIONS	PART DIMENSIONS									
			A Clearance Hole		B Max O.A. Length		C Thread Length		D Wrenching Nut Thk.		E Wrenching Flats	
Black			in.	mm.	in.	mm.	in.	mm.	in.	mm.	in.	mm.
M8437GBF	LTCG 1	9 - 4,5 mm holes	1.33	33,7	2.41	61,2	.76	19,3	.30	7,6	1.73	43,9
M4524GBG	LTCG 1-1/4	13 - 4,5 mm holes	1.68	42,7	2.69	68,3	.78	19,8	.30	7,6	2.05	52,1



SUGGESTED CLEARANCE HOLE FOR NONTHEADED MOUNTING

Quick Specs

Material	6/6 Nylon with TPE or Buna N Sealing Glands
Flammability Rating	94-V2
Temperature Rating	-22°F (-30°C) to 212°F (100°C)
IP Rating	IP 68