

Breeze Power-Seal®



A general purpose automotive and industrial worm-drive hose clamp with arcial perforations for added strength.

1/2" Band with Arcial Perforations | Quadra-Lock Construction | SAE Standard J1508 Type F | Diameter Range 7/16" – 7"

62000 POWER-SEAL

5/16" Plated Hex Screw
1/2" Band in 300-Series SS
Two-Piece Housing in 300-Series SS

64000 POWER-SEAL

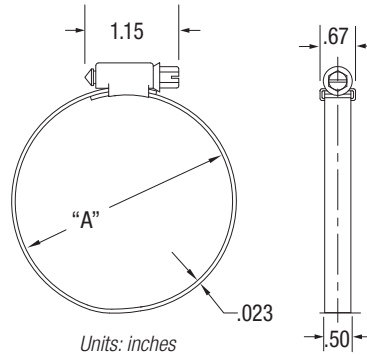
5/16" 410 Stainless Steel Hex Screw
1/2" Band in 300-Series SS
Two-Piece Housing in 300-Series SS

63000 POWER-SEAL

5/16" 300-Series SS Hex Screw
1/2" Band in 300-Series SS
Two-Piece Housing in 300-Series SS

66000 POWER-SEAL

5/16" 316 Stainless Steel Hex Screw
1/2" Band in 316 Stainless Steel
Two-Piece Housing in 316 Stainless Steel



| SAE | 62000 POWER-SEAL | | 64000 POWER-SEAL | | 63000 POWER-SEAL | | 66000 POWER-SEAL | | inches (A) | | mm | |
|-----|------------------|---------------|------------------|---------------|------------------|---------------|------------------|---------------|------------|--------|-----|-----|
| | Brand PN | Global PN | Brand PN | Global PN | Brand PN | Global PN | Brand PN | Global PN | min | max | min | max |
| 6 | 62006H | 0361 0114 016 | 64006H | 0361 0116 016 | 63006H | 0361 0115 016 | 66006H | 0361 0117 016 | 7/16 | 25/32 | 11 | 20 |
| 8 | 62008H | 0361 0114 018 | 64008H | 0361 0116 018 | 63008H | 0361 0115 018 | 66008H | 0361 0117 018 | 1/2 | 29/32 | 13 | 23 |
| 10 | 62010H | 0361 0114 021 | 64010H | 0361 0116 021 | 63010H | 0361 0115 021 | 66010H | 0361 0117 021 | 9/16 | 1 1/16 | 14 | 27 |
| 12 | 62012H | 0361 0114 025 | 64012H | 0361 0116 025 | 63012H | 0361 0115 025 | 66012H | 0361 0117 025 | 11/16 | 1 1/4 | 17 | 32 |
| 16 | 62016H | 0361 0114 030 | 64016H | 0361 0116 030 | 63016H | 0361 0115 030 | 66016H | 0361 0117 030 | 13/16 | 1 1/2 | 21 | 38 |
| 20 | 62020H | 0361 0114 033 | 64020H | 0361 0116 033 | 63020H | 0361 0115 033 | 66020H | 0361 0117 033 | 13/16 | 1 3/4 | 21 | 44 |
| 24 | 62024H | 0361 0114 039 | 64024H | 0361 0116 039 | 63024H | 0361 0115 039 | 66024H | 0361 0117 039 | 1 1/16 | 2 | 27 | 51 |
| 28 | 62028H | 0361 0114 045 | 64028H | 0361 0116 045 | 63028H | 0361 0115 045 | 66028H | 0361 0117 045 | 1 5/16 | 2 1/4 | 33 | 57 |
| 32 | 62032H | 0361 0114 052 | 64032H | 0361 0116 052 | 63032H | 0361 0115 052 | 66032H | 0361 0117 052 | 1 9/16 | 2 1/2 | 40 | 64 |
| 36 | 62036H | 0361 0114 058 | 64036H | 0361 0116 058 | 63036H | 0361 0115 058 | 66036H | 0361 0117 058 | 1 13/16 | 2 3/4 | 46 | 70 |
| 40 | 62040H | 0361 0114 053 | 64040H | 0361 0116 053 | 63040H | 0361 0115 053 | 66040H | 0361 0117 064 | 2 1/16 | 3 | 52 | 76 |
| 44 | 62044H | 0361 0114 059 | 64044H | 0361 0116 059 | 63044H | 0361 0115 059 | 66044H | 0361 0117 071 | 2 5/16 | 3 1/4 | 59 | 83 |
| 48 | 62048H | 0361 0114 065 | 64048H | 0361 0116 065 | 63048H | 0361 0115 065 | 66048H | 0361 0117 077 | 2 9/16 | 3 1/2 | 65 | 89 |
| 52 | 62052H | 0361 0114 072 | 64052H | 0361 0116 072 | 63052H | 0361 0115 072 | 66052H | 0361 0117 083 | 2 13/16 | 3 3/4 | 71 | 95 |
| 56 | 62056H | 0361 0114 083 | 64056H | 0361 0116 083 | 63056H | 0361 0115 083 | 66056H | 0361 0117 090 | 3 1/16 | 4 | 78 | 102 |
| 60 | 62060H | 0361 0114 084 | 64060H | 0361 0116 084 | 63060H | 0361 0115 084 | 66060H | 0361 0117 096 | 3 5/16 | 4 1/4 | 84 | 108 |
| 64 | 62064H | 0361 0114 091 | 64064H | 0361 0116 091 | 63064H | 0361 0115 091 | 66064H | 0361 1097 102 | 3 9/16 | 4 1/2 | 91 | 114 |
| 72 | 62072H | 0361 0114 088 | 64072H | 0361 0116 088 | 63072H | 0361 0115 088 | 66072H | 0361 0117 088 | 1 7/8 | 5 | 48 | 127 |
| 80 | 62080H | 0361 0114 102 | 64080H | 0361 0116 102 | 63080H | 0361 0115 102 | 66080H 5P | 0361 1093 127 | 2 1/2 | 5 1/2 | 64 | 140 |
| 88 | 62088H | 0361 0114 116 | 64088H | 0361 0116 116 | 63088H | 0361 0115 116 | 66088H 5P | 0361 0117 116 | 3 1/8 | 6 | 79 | 152 |
| 96 | 62096H | 0361 0114 129 | 64096H | 0361 0116 129 | 63096H | 0361 0115 129 | 66096H 5P | 0361 1090 152 | 3 5/8 | 6 1/2 | 92 | 165 |
| 104 | 62104H | 0361 0114 141 | 64104H | 0361 0116 142 | 63104H | 0361 0115 142 | 66104H 5P | 0361 0117 142 | 4 1/8 | 7 | 105 | 178 |