

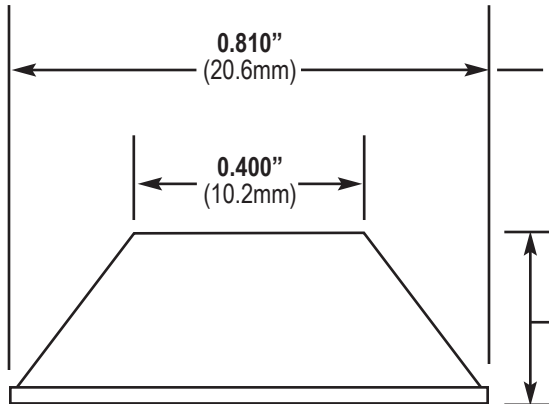
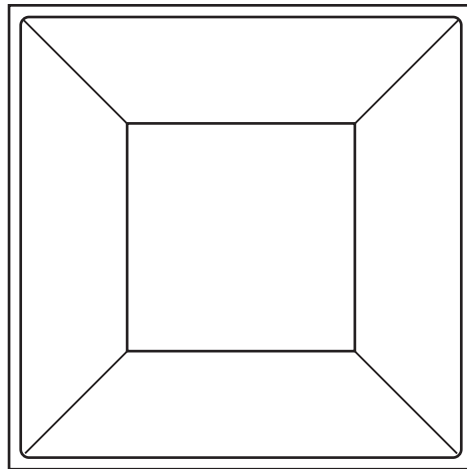


Bumper Specialties, Inc.

Made in the USA. Proudly distributed by:



**H.W. ECKHARDT
CORPORATION**
ENGINEERED FASTENERS



Kiss-cut dimension

**Includes adhesive thickness,
does not include release liner.**

Pressure Sensitive Adhesive →

BS-19 Mechanical



Actual Size

General Specifications

Material: Polyurethane
Pressure Sensitive Adhesive: Rubber - or - Acrylic
Durometer, Shore A: 60-70 Standard
Tolerance: ± 0.02" (.5mm)

Sheet Size: 6" x 12"
Per Sheet: 98 Pieces — 7 across x 14 down
Per Box: 2,646 Pieces — 27 Sheets
Colors: Clear, Black, White, Brown, Gray