

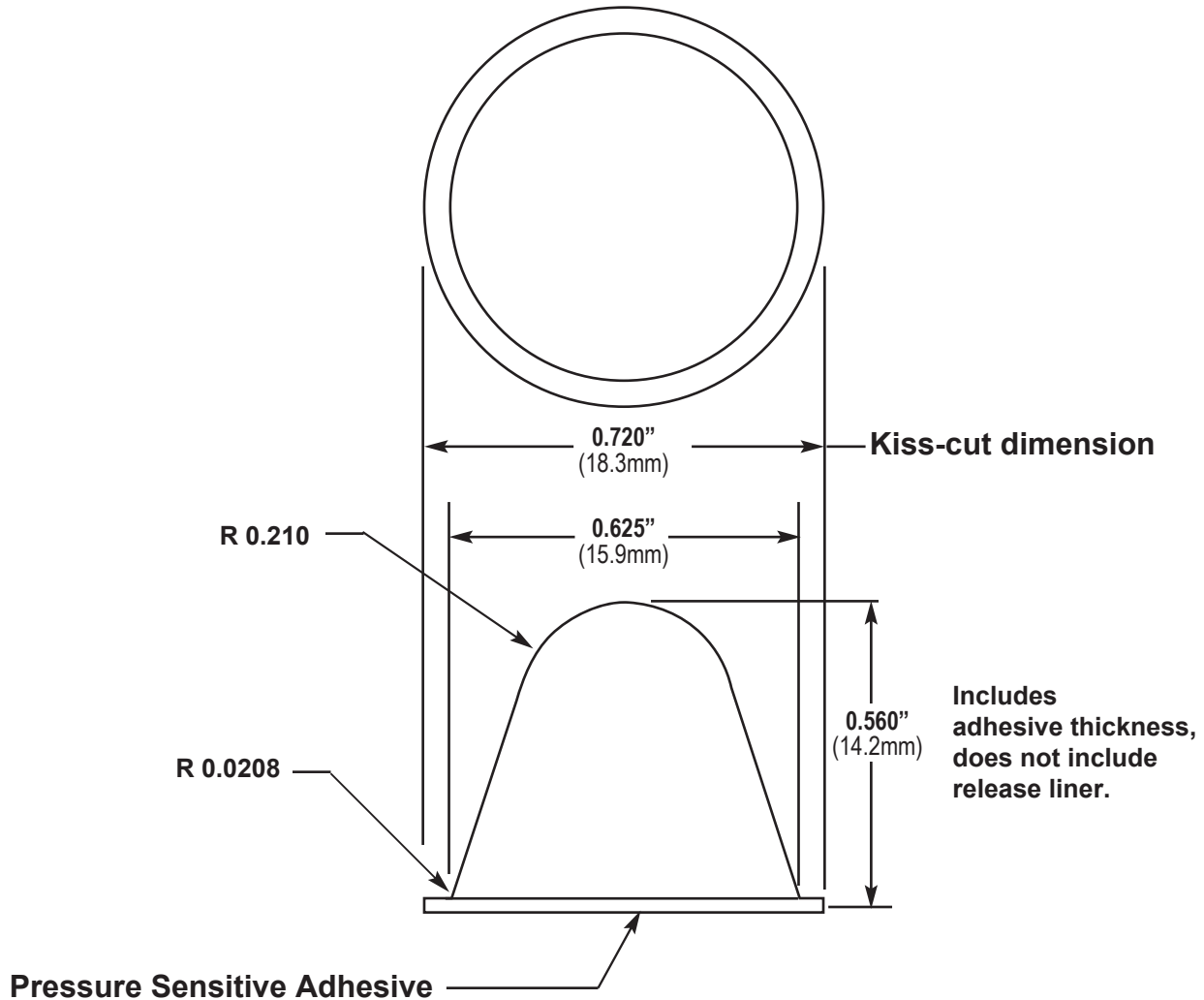


# ***Bumper Specialties, Inc.***

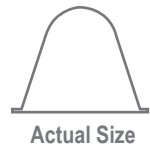
Made in the USA. Proudly distributed by:



**H.W. ECKHARDT  
CORPORATION**  
ENGINEERED FASTENERS



## ***BS-37*** Mechanical



### General Specifications

**Material:** Polyurethane  
**Pressure Sensitive Adhesive:** Rubber - or - Acrylic  
**Durometer, Shore A:** 60-70 Standard  
**Tolerance:**  $\pm 0.02"$  (.5mm)

**Sheet Size:** Supplied as Singles  
**Per Sheet:** 1 Piece  
**Per Box:** 1,500 Pieces  
**Colors:** Clear, Black