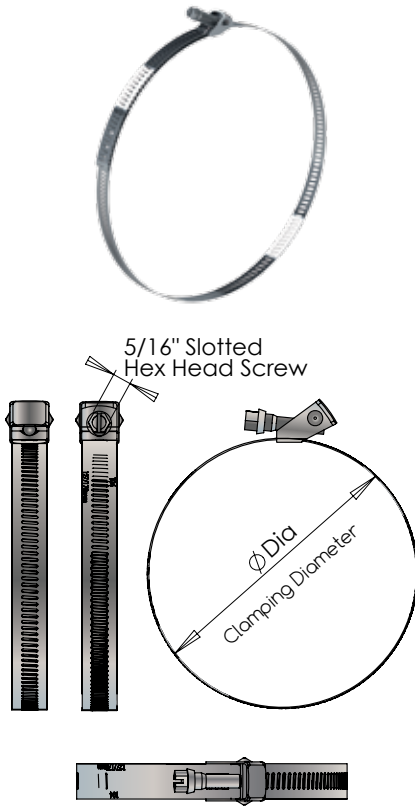


QUICK RELEASE DUCT CLAMPS

- High quality stainless steel band with zinc-plated screw
- Fast and easy, no-hassle installation and removal
- Designed to exceed 40 inch-pounds of torque



ITEM #	SAE SIZE	CLAMPING DIAMETER Inches	LENGTH Inches (mm)	BAND WIDTH Inches (mm)	CASE QTY
QR-104PB	104	1-3/4 - 7	22 (559)	1/2 (12.7)	200
QR3-104PB	104	1-3/4 - 7	22 (559)	9/16 (14.3)	100
QR-128PB	128	1-3/4 - 8-1/2	27 (686)	1/2 (12.7)	100
QR-152PB	152	1-3/4 - 10	31 (787)	1/2 (12.7)	100
QR-188PB	188	1-3/4 - 12-1/4	38 (965)	1/2 (12.7)	100
QR-232PB	232	1-3/4 - 15	47 (1194)	1/2 (12.7)	100
QR-258PB	258	1-3/4 - 16-1/4	51 (1295)	1/2 (12.7)	100
QR-288PB	288	1-3/4 - 18-12	57 (1448)	1/2 (12.7)	100
QR-312PB	312	1-3/4 - 20	63 (1600)	1/2 (12.7)	100

HIGH TORQUE QUICK RELEASE DUCT CLAMPS

Designed to exceed 80 inch-pounds of torque

QR-152PBP	152	1-3/4 - 10	31 (787)	1/2 (12.7)	100
QR3-152PBP	152	1-3/4 - 10	31 (787)	9/16 (14.3)	100
QR-188PBP	188	1-3/4 - 12-1/4	38 (965)	1/2 (12.7)	100
QR3-188PBP	188	1-3/4 - 12-1/4	38 (965)	9/16 (14.3)	100



COATED QUICK RELEASE DUCT CLAMPS

ITEM #	SAE SIZE	CLAMPING DIAMETER Inches	LENGTH Inches (mm)	BAND WIDTH Inches (mm)	CASE QTY
QR-104PB-C	104	1-3/4 - 7	22 (559)	1/2 (12.7)	200
QR-152PB-C	152	1-3/4 - 10	31 (787)	1/2 (12.7)	100
QR-188PB-C	188	1-3/4 - 12-1/4	38 (965)	1/2 (12.7)	100

- High quality clamps
- Designed to exceed 40 inch-pounds of torque
- Finished with a smooth black coating

TENSION CLAMP

ITEM #	SIZE Inches (mm)	CASE QTY
SC-4	4 (102)	500

- Use with 4" non-rigid flexible duct
- Easy-to-use pressure mechanism for 4" dryer venting applications
- Clamps easily without tools

