



HEYClip™ MaxRunner® Cable Clip Arrays

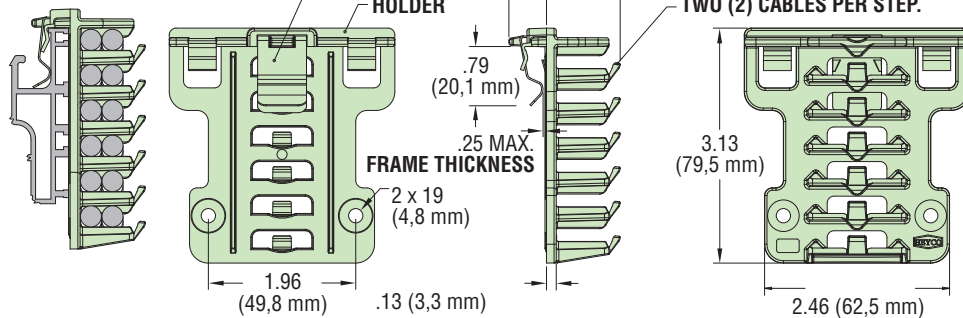
Clip Mount or Flush Mount with Screws*, accommodates up to **12 Cables**

PANEL THICKNESS CLAMPING RANGE		WIRE DIA. RANGE		PART NO.	DESCRIPTION	FOOTPRINT		OVERALL HEIGHT			
Minimum	Maximum	Maximum (12) Wires				in.	mm.	in.	mm.		
in.	mm.	in.	mm.								
Clip Mount											
.06	1,5	.25	6,4	.20 - .28	5,2 - 7,2	S6403	MaxRunner 12 Clip Mount	3.00 x 3.13	76,2 - 79,5	.98	24,9
Flush Mount											
N/A: designed for flat mount		.20 - .28	5,2 - 7,2	S6433	MaxRunner 12 Flush Mount	3.00 x 3.13	76,2 - 79,5	1.00	25,4		

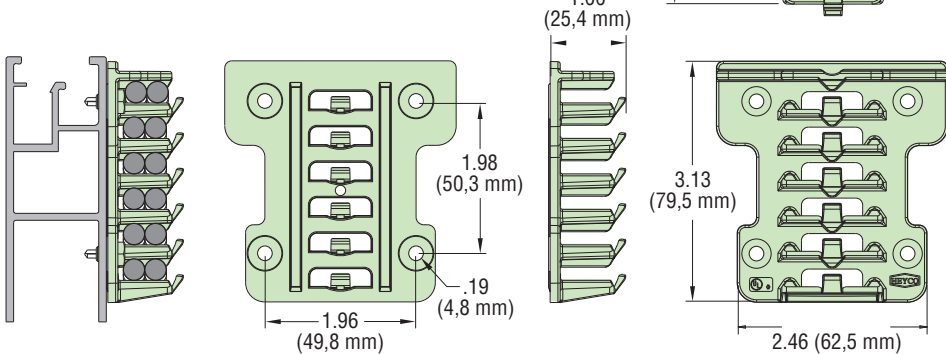
*Screws not included



Clip Mount



Flush Mount



- Hold up to 12 cables with wire diameters ranging from .20" (5,2 mm) to .28" (7,2 mm).
- Patent Pending design is the ultimate in solar wire management.
- Molded internal locking tabs securely hold the cables in place **preventing side-to-side movement or slippage** of the cables.
- Constructed from PPE+PS flame retardant "Noryl" material with a **V-0 flame rating** and a **UV (f1) rating** for excellent resistance to outdoor exposure.
- **Clip Mount** features a versatile, 301 stainless steel mounting clip.
- Clip is designed to secure the holder to a wide variety of aluminum extruded mounting rails of various profiles with thicknesses up to .250" (6,4 mm).
- **Flush Mount** designed to mount on flat panels or extrusions without mounting ledges.
- Easily attaches to any flat surface with four mounting screws.
- Recommended spacing is 4 feet.
- Load Rating not to exceed 15 lbs.
- US Patent No. 8950712B2

Materials
Certifications

PPE & PS Noryl (Clipmount includes a 301 stainless steel mounting clip)
 Certified by UL for Compliance with both Canadian and U.S. requirements under File E54523

Flammability Rating
Temperature Range

94V-0
-40°F (-40°C) to 203°F (95°C)

Quick
Specs