

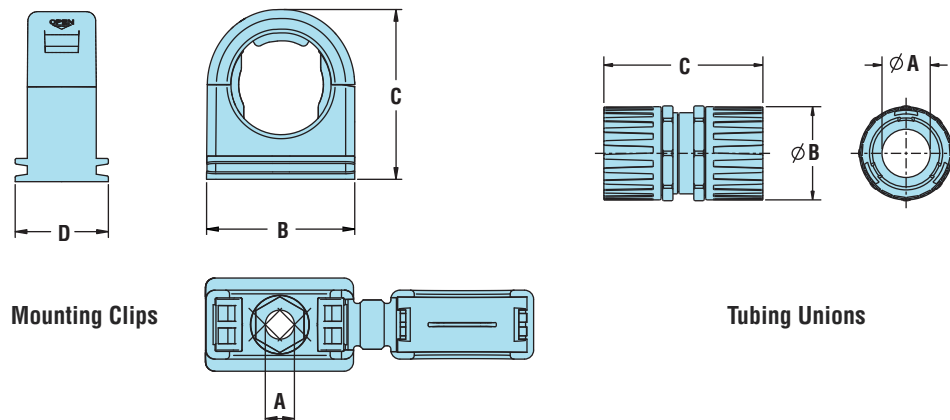


Heyco® Nylon Conduit/Tubing Mounting Clips

With Integral Closure

FITS CONDUIT SIZE	PART NO. Black	DESCRIPTION	PART DIMENSIONS							
			A Mounting Hole Dia.		B Width		C Max O.A Height		D Max.O.A. Thickness	
			in.	mm.	in.	mm.	in.	mm.	in.	mm.
13 mm	F8902	FCL 13	.197	5,0	.894	22,7	1.093	26,4		
16 mm	F8904	FCL 16	.205	5,2	1.039	26,4	1.173	29,8	.787	20,0
21 mm	F8906	FCL 21	.244	6,2	1.252	31,8	1.437	36,5		
28 mm	F8908	FCL 28	.244	6,2	1.606	40,8	1.752	44,5		
34 mm	F8910	FCL 34	.244	6,2	1.890	48,0	2.028	51,5		
42 mm	F8912	FCL 42	.244	6,2	2.252	57,2	2.370	60,2		

Standard color black.



Mounting Clips

Tubing Unions



- For mounting Heyco Nylon Corrugated Conduit or Tubing securely into place, vertically or horizontally. See page 2-21.
- Low profile design for space savings and pleasing appearance.
- Only fingertip pressure is required to snap conduit or tubing into bracket.
- Can be easily opened for temporary access/removal and closed again to secure conduit.
- Suitable for use with both fine and/or coarse pitch conduit/tubing.
- Suitable for use by original equipment manufacturers.
- Resist salt water, weak acids, gasoline, alcohol, oil, grease, and common solvents. (This feature is not assessed by UL certification or testing.)
- Recommended distance between brackets at intervals not greater than 3 feet (914 mm) as required by Article 351-27 of 1996 NEC.
- Use one standard #10 (4-5M) screw for attaching bracket to panel or chassis (screw not included).

Heyco® Nylon Conduit/Tubing Unions NEW!

FITS CONDUIT SIZE	PART NO. Black	DESCRIPTION	PART DIMENSIONS					
			A Bore		B Max. Diameter		C Length	
			in.	mm.	in.	mm.	in.	mm.
16 mm	F8944	FPA 16 - FPA 16	.43	11,0	1.14	29,0	2.32	59,0
21 mm	F8946	FPA 21 - FPA 21	.57	14,5	1.26	32,0	2.80	71,0
28 mm	F8948	FPA 28 - FPA 28	.77	19,5	1.73	44,0	3.19	81,0
34 mm	F8950	FPA 34 - FPA 34	1.04	26,5	2.01	51,0	3.43	87,0

Standard color black.

- One piece fast fit coupler to join corrugated conduit



Material	Nylon 6/6
Certifications	CE Approved as per BS EN50086
Flammability Rating	94V-2 and Low Fire Hazard Including Low Smoke, Low Toxicity as well as Halogen, Sulphur, and Phosphorus Free
Temperature Range	-58°F (-50°C) to 275°F (135°C)

