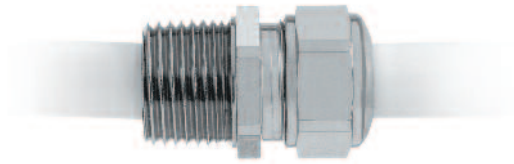




# Heyco® -Tite Brass Liquid Tight Cordgrips

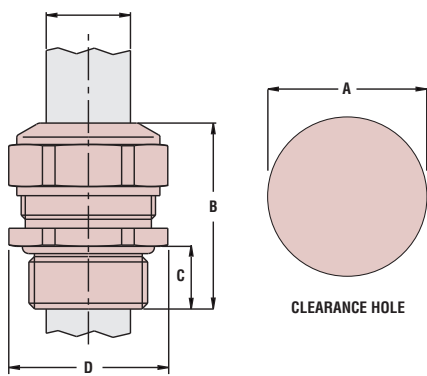
## NPT Hubs

The Ultimate in Liquid Tight Strain Relief Protection



CABLE DIA. RANGE				PART NO.	THREAD SIZE	UL or RA	PART DIMENSIONS							
Minimum		Maximum					A Clearance Hole Dia.		B Max. O.A. Length		C Thread Length		D Wrenching Nut Flat Size	
in.	mm.	in.	mm.				in.	mm.	in.	mm.	in.	mm.	in.	mm.
.118	3,0	.157	4,0	4560	NPT 1/8	cULus	.445	11,3	.905	23,0	.315	8,0	.512	13,0
.157	4,0	.236	6,0	4561										
.138	3,5	.197	5,0	4562	NPT 1/4	cULus	.540	13,7	1.142	29,0	.472	12,0	.591	15,0
.197	5,0	.256	6,5	4563										
.256	6,5	.315	8,0	4564										
.138	3,5	.177	4,5	4565	NPT 3/8	cULus	.670	17,0	1.260	32,0	.472	12,0	.709	18,0
.177	4,5	.236	6,0	4566										
.236	6,0	.315	8,0	4567										
.315	8,0	.413	10,5	4568										
.236	6,0	.315	8,0	4569										
.315	8,0	.433	11,0	4570	NPT 1/2	cULus	.875	22,2	1.417	36,0	.590	15,0	.945	24,0
.433	11,0	.590	15,0	4571										
.374	9,5	.492	12,5	4572	NPT 3/4	cULus	1.068	27,1	1.575	40,0	.590	15,0	1.181	30,0
.492	12,5	.630	16,0	4573										
.630	16,0	.807	20,5	4574										
.551	14,0	.669	17,0	4575	NPT 1	cULus	1.375	34,9	1.890	48,0	.787	20,0	1.417	36,0
.669	17,0	.827	21,0	4576										
.827	21,0	1.004	25,5	4577										
.787	20,0	.945	24,0	4578	NPT 1-1/4	cULus	1.680	42,7	2.008	51,0	.787	20,0	1.811	46,0
.945	24,0	1.122	28,5	4579										
1.122	28,5	1.299	33,0	4580										
1.142	29,0	1.299	33,0	4581	NPT 1-1/2	cULus	1.920	48,8	2.205	56,0	.866	22,0	2.165	55,0
1.299	33,0	1.457	37,0	4582										
1.457	37,0	1.614	41,0	4583										
1.378	35,0	1.575	40,0	4584	NPT 2	cULus	2.395	60,8	2.323	59,0	.866	22,0	2.756	70,0
1.575	40,0	1.811	46,0	4585										
1.811	46,0	2.047	52,0	4586										

- Nickel plated brass construction for superior protection of flexible cables.
- Nickel-plated finish over brass provides excellent corrosion resistance and durability.
- IP 68 rated.
- For use in clearance or threaded holes.
- Long NPT threads provide additional threads for easy locknut assembly.
- Multiple sizes for flexible cord diameters ranging from .118" (3,0 mm) to 2.047" (52,0 mm).
- We recommend using the smallest cordgrip that accommodates your cable size.
- Sealing gland is molded in Thermoplastic Polymer Elastomer (TPE) Material.
- Locknuts not included. For metal locknut specifications or to order locknuts separately, see page 3-40.



Material	Nickel-Plated Brass w/TPE Sealing Gland
Certifications	cULus Certified by UL for Compliance with both Canadian and U.S. requirements Under File E51579.
	cRAus Recognized under the Component Program of Underwriters' Laboratories File E51579 to both Canadian and U.S. requirements.
Temperature Rating	-40°F (-40°C) to 212°F (100°C)
IP Rating	IP 68, IP 69K

Quick  
Specs