

Pincer ME

Highly process reliable and efficient assembly

Full range of pincer heads, for compatibility to all standard clamps

Adaptation of different pincer head designs according to application

Option: Pistol grip (for HO 2000–4000 ME)

Lightweight and ergonomic design for one-handed operation

Pneumatic Pincers Oetiker ME

This high-quality, complete pincer system ensures the uniform assembly of Oetiker clamps. The selection of the correct pincer body and head is determined by the type of Oetiker clamp to be assembled, the optimum closing force and the air supply pressure that is available.

To obtain the optimum closing force, please refer to the technical information for the product being assembled and take into account the availability of special pincer heads.

Selection example

For a closing force of approx. 3000 N and using an HO 3000 ME, the available inlet pressure must be at least 6 bar. The closing force must be set to the data given. To change the closing force, the inlet pressure must be adjusted. A closing force tester, for example Test Equipment CAL 01, is used to determine and set the correct closing force.

For ergonomic operation we provide a pistol grip for HO 2000/3000/4000 ME. It is a lightweight accessory that can be assembled easily by our Powertool Service Center. The pistol grip is available as a retrofit kit or in combination with a new pincer.

To maintain consistent pincer force, sufficient compressed air pressure and volume must be provided.

- [Delivery scope pneumatic pincer Oetiker ME](#)
- [Oetiker ME with pincer head](#)
- [Compressed air connection set \(incl. filter/water separator\)](#)
- [Operating instruction](#)

Selection of complete pincer systems

The complete pincer system consists of pincer head and pincer.

- 1) First select the pincer head in accordance with the requirement.
- 2) Then select the pincer type in the corresponding columns below. The item number for the complete pincer and complete pincer with pistol grip include the selected pincer head.

Pincer heads

Jaw width (mm)	5.5	7.5	7.5	10.2	10.2	10.5	10.5	14.5
Open gap (mm)	8.6	11.6	13.2	13.2	16.2	13.7	16.6	16.6
For ear width* (mm)	</= 7	8	10	10	13	10	13	13
Item No.	13900158	13900154	13900150	13900138	13900142	13900113	13900114	13900543

Type of pincer									ME without pincer head
HO 2000 ME									
Pincer complete	13900173	13900174	13900176	13900182	-	-	-	-	13900226
Pincer complete with pistol grip	13900930	13900931	13900932	13900934	-	-	-	-	13901301
Replacement-jaw kit	13900166	13900167	13900168	13900163	-	-	-	-	-
HO 3000 ME									
Pincer complete	-	13900175	13900177	13900183	13900185	-	-	-	13900227
Pincer complete with pistol grip	-	13900935	13900936	13900938	13900939	-	-	-	13901302
Replacement-jaw kit	-	13900167	13900168	13900163	13900170	-	-	-	-
HO 4000 ME									
Pincer complete	-	-	-	13900184	13900186	-	-	-	13900228
Pincer complete with pistol grip	-	-	-	13900940	13900941	-	-	-	13901303
Replacement-jaw kit	-	-	-	13900163	13900170	-	-	-	-
HO 5000 ME									
Pincer complete	-	-	-	-	-	13900161	13900162	-	13900229
Replacement-jaw kit	-	-	-	-	-	13900164	13900165	-	-
HO 7000 ME									
Pincer complete	-	-	-	-	-	13900171	13900172	13900546	13900230
Replacement-jaw kit	-	-	-	-	-	13900164	13900165	13900545	-
									Individual order number
Pistol grip retrofit kit	-	-	-	-	-	-	-	-	13901300

* measured inside

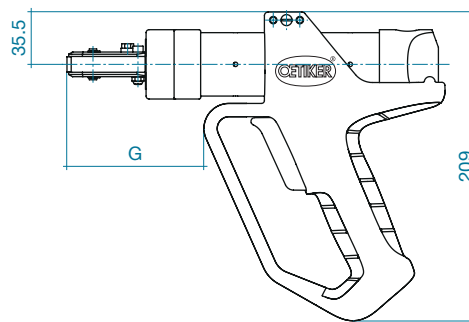
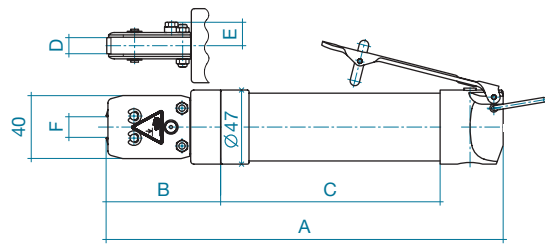
Item numbers in **bold type** belong to the recommendend basic equipment. Replacement jaw kit = left and right pincer jaws complete with all necessary parts. The jaw width must be at least 0.5 mm wider than the band used for the clamps to be assembled. The opening gap should be wide enough for the largest ear.



Technical data

HO 2000 ME, HO 3000 ME, HO 4000 ME

Pincer complete with pistol grip



Pincer heads

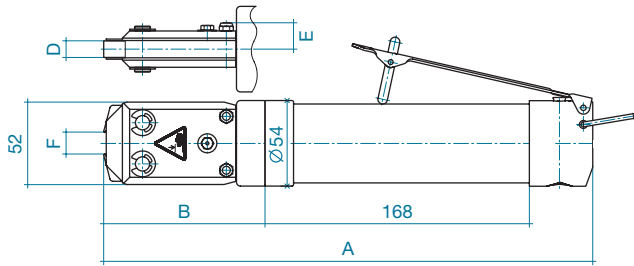
Jaw width D (mm)	5.5	7.5	7.5	10.2	10.2
For ear width* (mm)	≤ 7	8	10	10	13
Item No.	13900158	13900154	13900150	13900138	13900142

Type of pincer

HO 2000 ME	A (mm)	214.0	213.0	213.0	213.0	-
	B (mm)	74.0	73.0	73.0	73.0	-
	C (mm)	101.0	101.0	101.0	101.0	-
	D (mm)	5.5	7.5	7.5	10.2	-
	E (mm)	12.3	13.3	13.3	14.9	-
	F (mm)	8.6	11.6	13.2	13.2	-
Pistol Grip for HO 2000 ME	G (mm)	55.0	54.0	54.0	54.0	-
HO 3000 ME	A (mm)	-	252.0	252.0	252.0	257.0
	B (mm)	-	73.0	73.0	73.0	78.0
	C (mm)	-	140.0	140.0	140.0	140.0
	D (mm)	-	7.5	7.5	10.2	10.2
	E (mm)	-	13.3	13.3	14.9	14.9
	F (mm)	-	11.6	13.2	13.2	16.2
Pistol Grip for HO 3000 ME	G (mm)	-	93.0	93.0	93.0	98.0
HO 4000 ME	A (mm)	-	-	291.0	291.0	296.0
	B (mm)	-	-	73.0	73.0	78.0
	C (mm)	-	-	179.0	179.0	179.0
	D (mm)	-	-	7.5	10.2	10.2
	E (mm)	-	-	13.3	14.9	14.9
	F (mm)	-	-	13.2	13.2	16.2
Pistol Grip for HO 4000 ME	G (mm)	-	-	-	132.0	137.0

* measured inside

HO 5000 ME



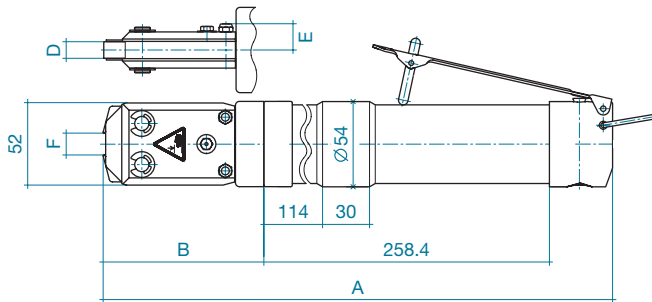
Pincer heads

Jaw width D (mm)	10.5	10.5	14.5
For ear width* (mm)	10	13	13
Item No.	13900113	13900114	13900543

Type of pincer

HO 5000 ME A (mm)	309.0	314.0	314.0
B (mm)	102.0	107.0	107.0
E (mm)	16.6	16.6	18.6
F (mm)	13.7	16.6	16.6

HO 7000 ME



Pincer heads

Jaw width D (mm)	10.5	10.5	14.5
For ear width* (mm)	10	13	13
Item No.	13900113	13900114	13900543

Type of pincer

HO 7000 ME A (mm)	400.0	405.0	405.0
B (mm)	102.0	107.0	107.0
E (mm)	16.6	16.6	18.6
F (mm)	13.7	16.6	16.6

* measured inside

Compressed air connection: internal thread G 1/4