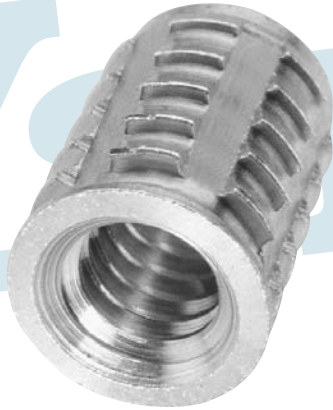


Yardley® Sharp-Sert® Inserts

Threaded Inserts Designed for Installation in Plastics, Particle Board and Wood

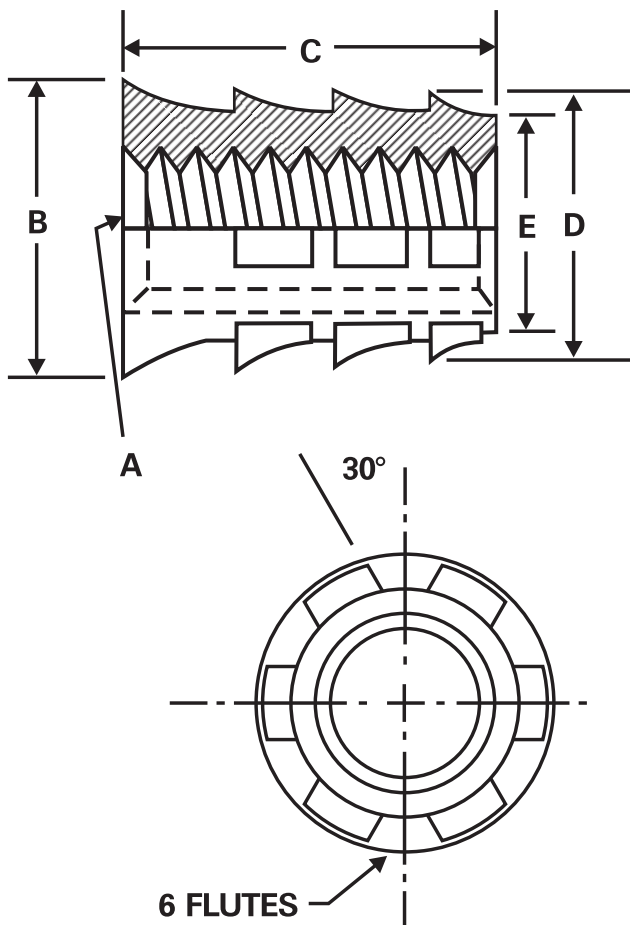


Advantages

- A variety of installation methods
- Through threaded
- Tapped area stays clean
- Economical
- Slightly curved hooks lock into material
- High resistance to rotation and pull-out

Available from stock in Brass

Custom sizes/materials available



Regular & Short Series

A versatile, economical insert, the SHARP-SERT can be used with most soft materials including wood, particle board and plastic. It can be pressed-in as well as installed thermally or ultrasonically. The SHARP-SERT is precision engineered by Yardley for trouble-free installation and reliability. The specially designed curved hooks lock firmly into the base material, providing exceptional resistance to pull-out and torque. Threads stay clean and chip free during installation.

The SHARP-SERT is also available in Short Series for shallow depth applications.

REGULAR SERIES

U.S. Part Number	Metric Part Number	A U.S. Thread Size	A Metric Thread Size	B Outside Diameter $\pm .005$	C Length $\pm .005$	D $\pm .002$	E Lead Diameter $\pm .005$	Starting Hole Size
256S5-6	2004S5-6	2-56	M2.0 x 0.4	.156	.156	.145	.113	.118
440S6-7	3005S6-7	4-40	M3.0 x 0.5	.187	.219	.172	.143	.148
632S7-8	3506S7-8	6-32	M3.5 x 0.6	.218	.250	.200	.175	.180
832S8-10	4007S8-10	8-32	M4.0 x 0.7	.250	.312	.227	.200	.205
1024S9-12		10-24		.281	.375	.255	.228	.230
1032S9-12	5008S9-12	10-32	M5.0 x 0.8	.281	.375	.255	.228	.230
25020S12-16	6010S12-16	250-20	M6.0 x 1.0	.375	.500	.341	.307	.312

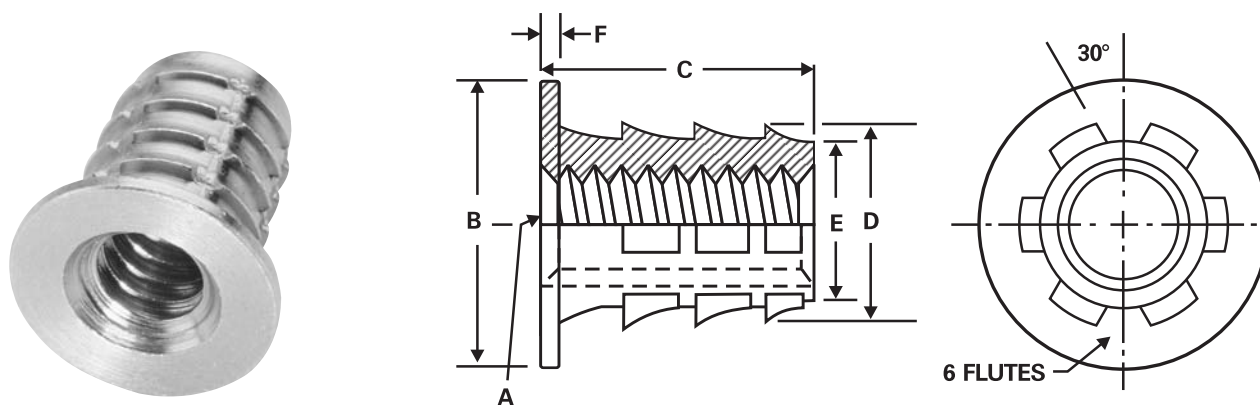
SHORT SERIES

U.S. Part Number	Metric Part Number	A U.S. Thread Size	A Metric Thread Size	B Outside Diameter $\pm .005$	C Length $\pm .005$	D $\pm .002$	E Lead Diameter $\pm .005$	Starting Hole Size
256SR5-3	2004SR5-3	2-56	M2.0 x 0.4	.156	.115	.145	.113	.118
440SR6-4	3005SR6-4	4-40	M3.0 x 0.5	.187	.135	.172	.143	.148
632SR7-5	3506SR7-5	6-32	M3.5 x 0.6	.218	.150	.200	.175	.180
832SR8-6	4007SR8-6	8-32	M4.0 x 0.7	.250	.185	.227	.200	.205
1024SR9-7		10-24		.281	.225	.255	.228	.230
1032SR9-7	5008SR9-7	10-32	M5.0 x 0.8	.281	.225	.255	.228	.230
25020SR12-9	6010SR12-9	250-20	M6.0 x 1.0	.375	.300	.341	.307	.312

Recommended starting hole sizes: Tests should be conducted to determine the appropriate hole sizes for your specific application and base material.

Flanged Series

All the advantages of the Yardley SHARP-SERT Standard Series in a versatile, flanged design. The Flanged SHARP-SERT is ideal for use in applications where both pull-out and pull-through are a concern. The flanged surface also allows larger headed screws to be used. It also provides an electrical union and can be used as a welding point.



U.S. Part Number	Metric Part Number	A U.S. Thread Size	A Metric Thread Size	B Flange Diameter $\pm .005$	C Length $\pm .005$	D $\pm .002$	E Lead Diameter $\pm .005$	F Flange Thickness	Starting Hole Size
440SF8-7	3005SF8-7	4-40	M3.0 x 0.5	.250	.219	.172	.143	.030	.148
632SF9-8	3506SF9-8	6-32	M3.5 x 0.6	.296	.250	.200	.175	.030	.180
832SF10-10	4007SF10-10	8-32	M4.0 x 0.7	.312	.312	.227	.200	.030	.205
1024SF12-12		10-24		.375	.375	.255	.228	.030	.230
1032SF12-12	5008SF12-12	10-32	M5.0 x 0.8	.375	.375	.255	.228	.030	.230
25020SF16-16	6010SF16-16	1/4-20	M6.0 x 1.0	.500	.500	.341	.307	.035	.312

Recommended starting hole sizes: Tests should be conducted to determine the appropriate hole sizes for your specific application and base material.