

Palnuts®

Self-Locking Stud Decorative - Special

The product displayed in this catalog is a preferred sampling of the larger product offering. For additional product refer to our website or contact a sales professional.

TWO-PIECE DECORATIVE CAPS

ARaymond Tinnerman's decorative two piece push-on fasteners combine the reliability of high carbon spring steel with an aesthetically appealing cap to hide unattractive stud ends. Used over shaft, stud, or rod ends for a multitude of applications, the colorful plastic push-on caps will enhance any product while providing dependable, vibration resistant assembly.

Caps are made out of Phthalate and lead-free materials and are RoHS compliant. Available in standard colors of red, white, and black, custom colors are also available with a modest upcharge. The parts are durable to withstand impact forces necessary for assembly and the retention of the cap to the metal insert is very strong.



ONE-PIECE DECORATIVE HIGH-HAT (PW)

Used over shaft, stud or rod ends for a multitude of applications, the shiny high-hats will enhance any product while providing dependable, vibration resistant assembly.

Industries and Applications

- Miscellaneous household items that feature axles such as toys and garbage can wheels
- Nameplates and any other injection molded parts that feature injection molded studs

Performance Specifications

Insertion and retention to stud is dependant on stud size and material. ARaymond Tinnerman will offer samples for testing or will perform testing on customer provided components.

PARTS FOR GROOVED SHAFTS

ARaymond's grooved shaft parts provide an excellent way to assemble panels to grooved shafts. The lower leg is tapered, pulling the parts together while protecting the mating surface. The upper leg snaps behind the shaft to act as a redundant and serviceable stop.

BALL STUD SPEED CLIPS

Ball stud speed clips are used on doors and other serviceable panels. Wear and tear on bosses and panels are eliminated because there is no direct contact. When latched, the spring legs of the clip continually bear inward on the stud, holding the latched unit snug against the panel.



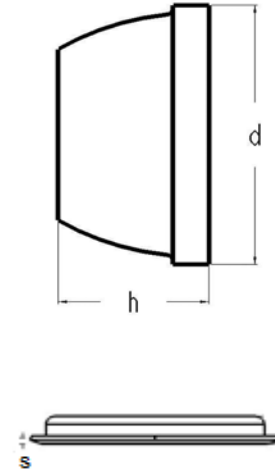
Palnuts®

Self-Locking Stud Decorative - Special

Most of the products featured on this page are manufactured with spring steel. Some are manufactured in stainless steel for higher corrosion and a more aesthetically pleasing finish. The plastic caps are available in black, red, or white and can be customized to meet a specific app.

Push-On Capped (KPS) ****Refreshed Line****

Part Number	Description	Stud Diameter (SD)	Diameter (d)	Height (h)	Material Thick. (s)	Shaft Height (SH)	# of Prongs
KPS 125105	Small Cap	1/8"	0.656	0.344	0.012	0.150-0.250	3
KPS 156105	Small Cap	5/32"	0.656	0.344	0.012	0.150-0.250	3
KPS 188105	Small Cap	3/16"	0.656	0.344	0.012	0.150-0.250	3
KPS 250105	Small Cap	1/4"	0.656	0.344	0.012	0.150-0.250	4
KPS 250135	Medium Cap	1/4"	0.835	0.440	0.015	0.175-0.350	4
KPS 312135	Medium Cap	5/16"	0.835	0.440	0.015	0.175-0.350	6
KPS 375135	Medium Cap	3/8"	0.835	0.440	0.015	0.175-0.350	6
<i>KPS 009215</i>	<i>Medium Cap</i>	<i>9mm</i>	<i>21.200</i>	<i>11.200</i>	<i>0.380</i>	<i>4.400-8.900</i>	<i>6</i>
KPS 438135	Medium Cap	7/16"	0.835	0.440	0.015	0.175-0.350	6
KPS 375210	Large Cap	3/8"	1.300	0.645	0.017	0.200-0.525	6
KPS 438210	Large Cap	7/16"	1.300	0.645	0.017	0.200-0.525	6
KPS 500210	Large Cap	1/2"	1.300	0.645	0.017	0.200-0.525	6
KPS 625210	Large Cap	5/8"	1.300	0.645	0.017	0.200-0.525	6
KPS 750210	Large Cap	3/4"	1.300	0.645	0.017	0.200-0.525	6

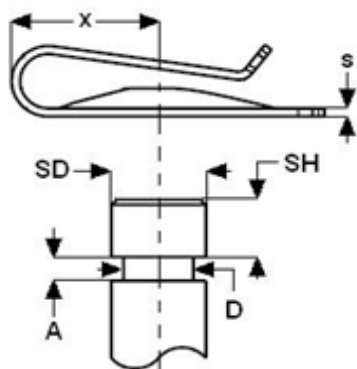


Bold Italics: Metric

One Piece Decorative Top Hat - ****New****

Included in 3rd quarter 2014 catalog release.

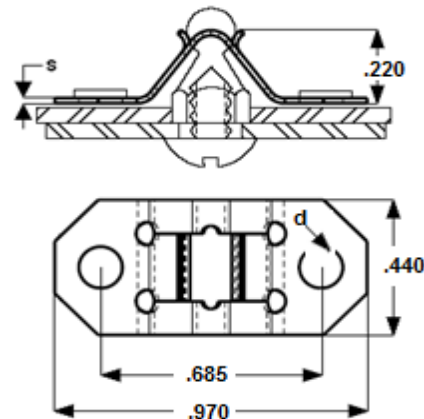
Special Stud Receivers - Grooved Shaft



Part Number	Stud Diameter (SD)	Groove Diameter (D)	Groove Height (A)
<i>054633</i>	<i>6mm - 1/4"</i>	<i>4.900-5.100</i>	<i>1.30</i>
<i>C57843-071M</i>	<i>8mm - 5/16"</i>	<i>5.760-5.920</i>	<i>1.98</i>

Bold Italics: Metric

Ball Stud Receivers - Spring Catches



Part Number	Pull Out Force (lbs)	Mounting Hole Dia (d)	Material Thick. (s)
C01663-017	8.0-9.0	0.135	0.017
C04893-012	3.5-5.0	0.105	0.012

The dimensions of the above parts are for reference only. For complete design information please contact your ARaymond Tinnerman Sales Professional.