

“Stay Connected” with



Strain Relief Bushings

a PennEngineering® Company



Heyco® Liquid Tight Strain Relief Bushings

The Ultimate in Snap-In Strain Relief Protection

Snap-in, Low Profile Design allows for Pre-assembled Cables



CABLE DIAMETER RANGE				PANEL DIMENSIONS				PART NO.	DESCRIPTION	PART DIMENSIONS				CAST PLIER PART NO.	NYLON PLIER ADAPTOR (Included) PART NO.	Mounting Hole Plug Part No.
Minimum		Maximum		A Mounting Hole Dia.		Finished Fit Panel Thickness*				C Head Diameter		D Overall Height				
in.	mm.	in.	mm.	in.	mm.	in.	mm.	Black		in.	mm.	in.	mm.			
For .875 (22,2 mm) Mounting Hole																
.280	7,1	.330	8,4	.875	22,2	.094	2,4	1063	LTBSR 875-094-330	1.29	32,8	.99	25,1	0029	0029A**	2509
						.188	4,8	1064	LTBSR 875-188-330							
.330	8,4	.440	11,2	.875	22,2	.094	2,4	1065	LTBSR 875-094-440							
						.188	4,8	1066	LTBSR 875-188-440							

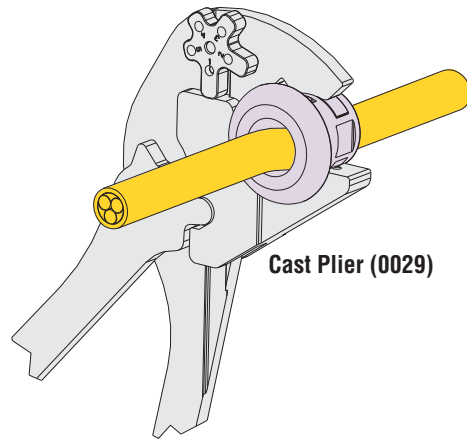
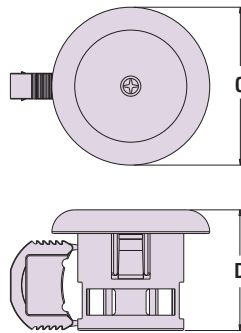
Standard color black.

* Maximum Panel Thickness. Part has additional clearance.

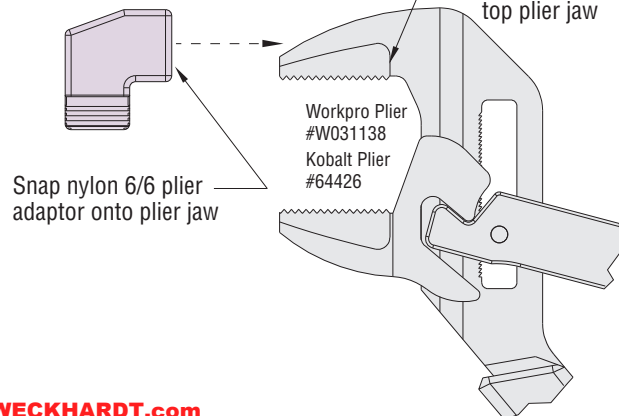
** Nylon Adaptor (0029A) included for Alternate Plier Crimping Method, but not required for Cast Plier Method –

Nylon Adaptor (0029A) compatible with 10” pliers, either Workpro item #W031138 or Kobalt item #64426 (available commercially).

- These low profile co-molded nylon and elastomer parts function as a Liquid Tight Strain Relief with a cable.
- cULus approved under UL 514B.
- Low profile design: height above panel is less than .188” (4,8mm).
- Can be pre-assembled to the cable prior to installation.
- Assembles to cables with a simple hand plier for easy installation.
- Smooth, rounded interior edges for ease of installation.
- **Fast and easy installation.**
- Available in multiple sizes for cable diameters ranging from .280” (7,1 mm) to .440” (11,2 mm).
- We recommend using the fitting with the smallest maximum diameter that will fit your application.
- Meet UL strain relief requirements without bending or kinking the cable.
- Special colors available—consult Heyco.
- **Patent Pending**



Nylon Adaptor (0029A)



H.W. ECKHARDT CORPORATION
ENGINEERED FASTENERS

www.HWECKHARDT.com

Material	Nylon 6/6 w/TPE Top
Certifications	UL Listed under Underwriters' Laboratories File E51579
Flammability Rating	94V-0
Temperature Range	-40°F (-40°C) to 212°F (100°C)
IP Rating	IP 65, 66, 67 and 68 (IP 68 is 25psi for 24hrs)